

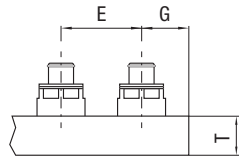
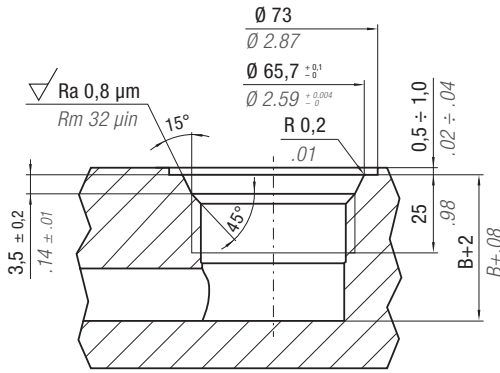


SW

ACTIVE SAFETY

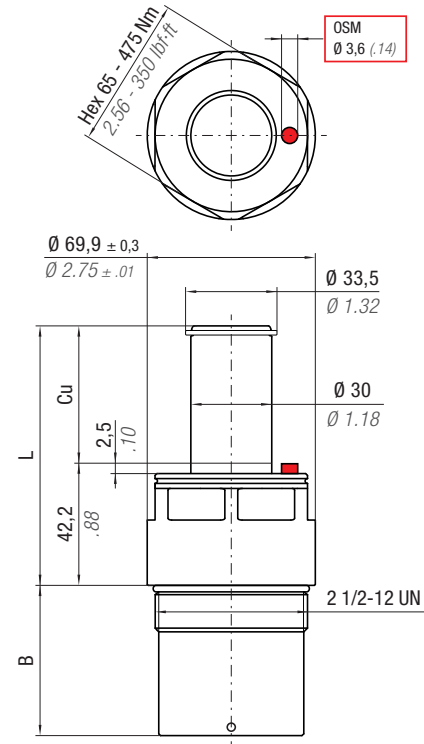


OSAS



P*		E min		G min	
psi	bar	inch	mm	inch	mm
1500	103	3.00	76	1.56	40
2000	138	3.50	89	1.89	48

P* = Charging pressure



Max Speed 315 ft/min 1,6 m/s	32 - 176 °F 0 - 80 °C	N ₂	P max 2000 psi 138 bar	P min 363 psi 25 bar	S 3.55 in ² 22,90 cm ²	
---	--------------------------	----------------	-------------------------------------	-----------------------------------	---	--

PART NUMBER	F ₀ Initial Force		C _u		L		B		T* min		T** min			
	2.5 ton 2500 daN	3 ton 3000 daN	inch	mm	inch	mm	inch	mm	inch	mm	inch	mm	~ lb	~ Kg
CRD 3000 - 1.00 - A			1.00	25,4	2.66	67,6	1.25	31,8	2.01	51,0	2.17	55,0	2.97	1,35
CRD 3000 - 1.50 - A			1.50	38,1	3.16	80,3	1.75	44,5	2.24	57,0	2.44	62,0	3.25	1,47
CRD 3000 - 2.00 - A			2.00	50,8	3.66	93,0	2.25	57,2	2.76	70,0	2.91	74,0	3.52	1,60
CRD 3000 - 2.50 - A			2.50	63,5	4.16	105,7	2.75	69,9	3.27	83,0	3.43	87,0	3.79	1,72
CRD 3000 - 3.00 - A			3.00	76,2	4.66	118,4	3.25	82,6	3.74	95,0	3.94	100,0	4.07	1,85
CRD 3000 - 3.50 - A			3.50	88,9	5.16	131,1	3.75	95,3	4.25	108,0	4.45	113,0	4.34	1,97
CRD 3000 - 4.00 - A			4.00	101,6	5.66	143,8	4.25	108,0	4.72	120,0	4.92	125,0	4.61	2,09
CRD 3000 - 4.50 - A			4.50	114,3	6.16	156,5	4.75	120,7	5.24	133,0	5.43	138,0	4.89	2,22
CRD 3000 - 5.00 - A			5.00	127,0	6.66	169,2	5.25	133,4	5.75	146,0	5.94	151,0	5.16	2,34
CRD 3000 - 5.50 - A			5.50	139,7	7.16	181,9	5.75	146,1	6.26	159,0	6.43	163,0	5.44	2,47
CRD 3000 - 6.00 - A			6.00	152,4	7.66	194,6	6.25	158,8	6.73	171,0	6.93	176,0	5.71	2,59

T* = 1500 psi/103 bar T** = 2000 psi/138 bar



HOW TO ORDER

p. 27



ACCESSORIES

p. 47

SERVICE TOOLS

p. 68

Part Number 58UT046A

MAINTENANCE KIT

Part Number 39BMCRO3000A