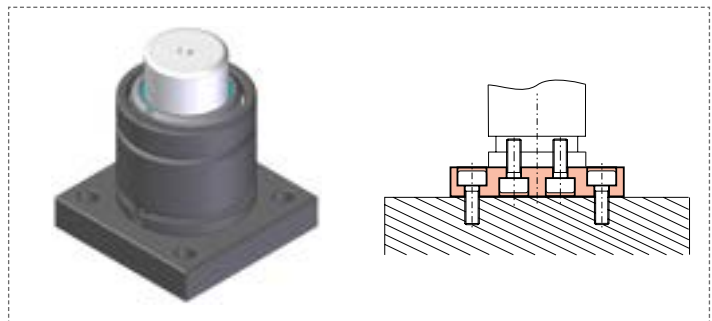
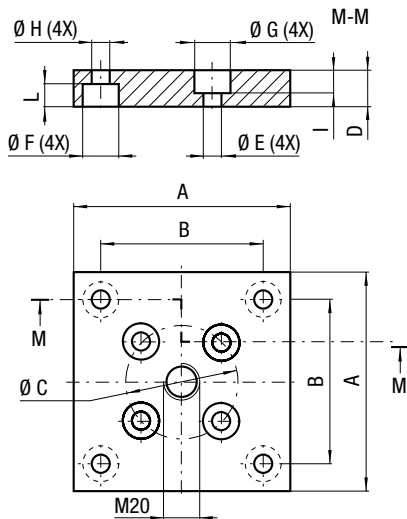


| CODE | Reference to standards | A | | B | | $\varnothing C$ | | D | | $\varnothing E$ | | $\varnothing F$ | | $\varnothing G$ | | $\varnothing H$ | | I | | L | |
|--------|------------------------|----|------|------|------|-----------------|------|----|------|-----------------|------|-----------------|------|-----------------|------|-----------------|------|----|------|----|------|
| | | mm | inch | mm | inch | mm | inch | mm | inch | mm | inch | mm | inch | mm | inch | mm | inch | mm | inch | mm | inch |
| FBA 45 | 20 | 70 | 2.76 | 50 | 1.97 | 20 | 0.79 | 20 | 0.79 | 9 | 0.35 | 18 | 0.71 | 15 | 0.59 | 11 | 0.43 | 14 | 0.55 | 12 | 0.47 |
| FBA 50 | 20 | 75 | 2.95 | 56,5 | 2.22 | 20 | 0.79 | 20 | 0.79 | 9 | 0.35 | 18 | 0.71 | 15 | 0.59 | 11 | 0.43 | 14 | 0.55 | 12 | 0.47 |



| CODE | Reference to standards | A | | B | | $\varnothing C$ | | D | | $\varnothing E$ | | $\varnothing F$ | | $\varnothing G$ | | $\varnothing H$ | | I | | L | |
|---------|------------------------|-----|------|-------|------|-----------------|------|----|------|-----------------|------|-----------------|------|-----------------|------|-----------------|------|----|------|----|------|
| | | mm | inch | mm | inch | mm | inch | mm | inch | mm | inch | mm | inch | mm | inch | mm | inch | mm | inch | mm | inch |
| FBA 75 | 20 | 100 | 3.94 | 73,5 | 2.89 | 40 | 1.57 | 20 | 0.79 | 9 | 0.35 | 18 | 0.71 | 15 | 0.59 | 11 | 0.43 | 14 | 0.55 | 12 | 0.47 |
| FBA 95 | 20 | 120 | 4.72 | 92 | 3.62 | 60 | 1.57 | 20 | 0.79 | 9 | 0.35 | 20 | 0.79 | 15 | 0.59 | 13,5 | 0.53 | 14 | 0.55 | 13 | 0.51 |
| FBA 120 | 20 | 140 | 5.51 | 109,5 | 4.31 | 80 | 3.15 | 20 | 0.79 | 11 | 0.43 | 20 | 0.79 | 18 | 0.71 | 13,5 | 0.53 | 15 | 0.59 | 13 | 0.51 |
| FBA 150 | 20 | 190 | 7.48 | 138 | 5.43 | 100 | 3.94 | 25 | 0.98 | 11 | 0.43 | 26 | 1.02 | 18 | 0.71 | 17,5 | 0.69 | 15 | 0.59 | 17 | 0.67 |
| FBA 195 | 20 | 210 | 8.27 | 170 | 6.69 | 120 | 4.72 | 25 | 0.98 | 13,5 | 0.53 | 26 | 1.02 | 20 | 0.79 | 17,5 | 0.69 | 15 | 0.59 | 17 | 0.67 |