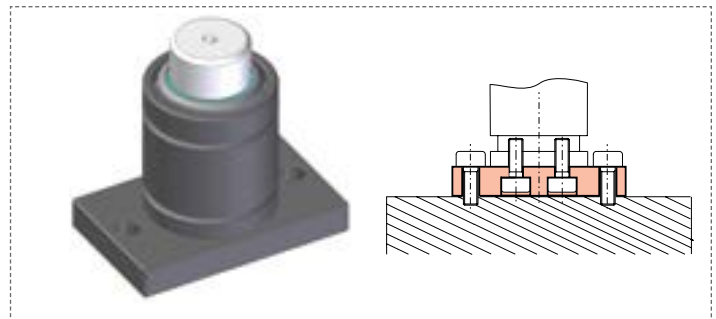
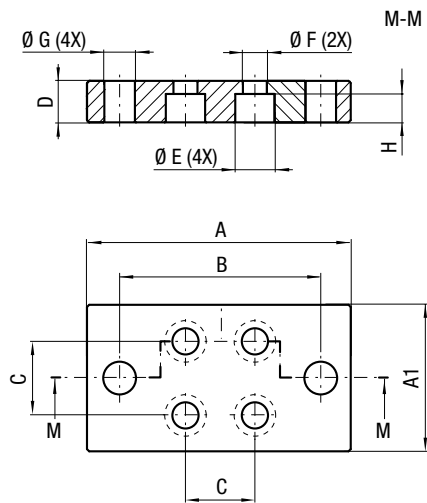


CODE	Reference to standards	A		A1		B		C		D		Ø E		Ø F		Ø G		H	
		mm	inch	mm	inch	mm	inch	mm	inch	mm	inch	mm	inch	mm	inch	mm	inch	mm	inch
FBF 45	20-29	90	3.54	45	1.77	70	2.76	20	0.79	16	0.63	14	0.55	9	0.35	9	0.35	10	0.39
FBF 50	20-29	100	3.94	50	1.97	75	2.95	31,8	1.25	19	0.75	18	0.71	11	0.43	14	0.55	13	0.51
FBFA 50	20-29	100	3.94	50	1.97	75	2.95	20	0.79	19	0.75	14	0.55	9	0.35	14	0.55	13	0.51



CODE	Reference to standards	A		A1		B		C		D		Ø E		Ø F		Ø G		H	
		mm	inch	mm	inch	mm	inch	mm	inch	mm	inch	mm	inch	mm	inch	mm	inch	mm	inch
FBF 75	20-29	130	5.12	80	3.15	105	4.13	38,1	1.50	19	0.75	20	0.79	14	0.55	14	0.55	13	0.51
FBFA 75	20-29	130	5.12	80	3.15	105	4.13	28,3	1,11	19	0.75	14	0.55	9	0.35	14	0.55	13	0.51
FBF 95	20-29	150	5.91	100	3.94	125	4.92	53,9	2,12	19	0.75	20	0.79	14	0.55	14	0.55	13	0.51
FBFA 95	20-29	150	5.91	100	3.94	125	4.92	42,4	1,67	19	0.75	14	0.55	9	0.35	14	0.55	13	0.51
FBF 120	20-29	170	6.69	120	4.72	145	5.71	57,1	2,25	19	0.75	20	0.79	14	0.55	14	0.55	13	0.51