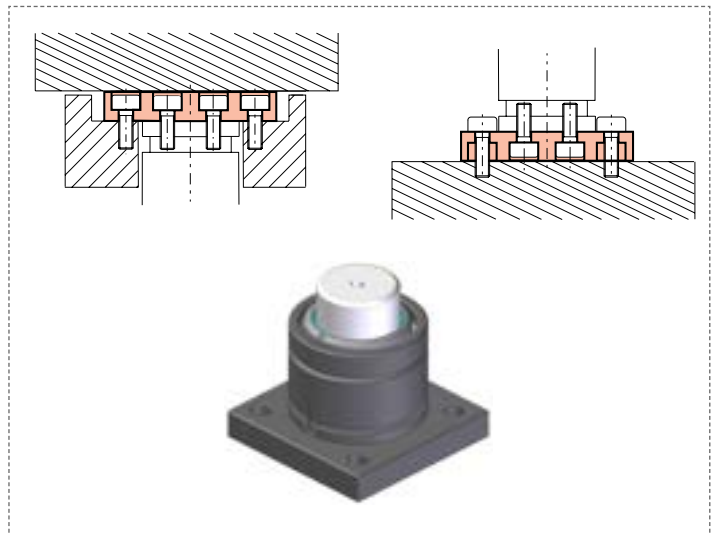
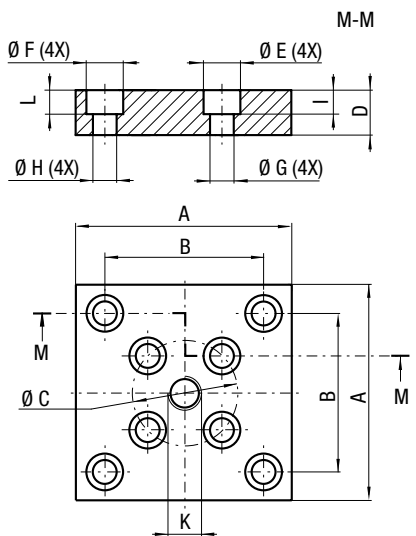


CODE	Reference to standards	A		B		C		D		Ø E		Ø F		Ø G		Ø H		I		L	
		mm	inch	mm	inch	mm	inch	mm	inch	mm	inch	mm	inch	mm	inch	mm	inch	mm	inch	mm	inch
FBH 50	19	85	3.35	62	2.44	31,8	1.25	25	0.98	18	0.71	18	0.71	11	0.43	11	0.43	13	0.51	13	0.51



CODE	Reference to standards	A		B		Ø C		D		Ø E		Ø F		Ø G		Ø H		I		L		K
		mm	inch	mm	inch	mm	inch	mm	inch	mm	inch	mm	inch	mm	inch	mm	inch	mm	inch	mm	inch	
FBH 75	19	100	3.94	76	2.99	53,9	2.12	25	0.98	21	0.83	21	0.83	13	0.51	13	0.51	14	0.55	13	0.51	M16
FBH 95	19	132	5.20	95	3.74	76,2	3.00	30	1.18	20	0.79	26	1.02	13	0.51	17	0.67	14	0.55	18	0.71	M20