



OSAS + OSM = **OVER STROKE ACTIVE SAFETY** + **OVER STROKE MARKER**

ACTIVE SAFETY



OSAS



USAS



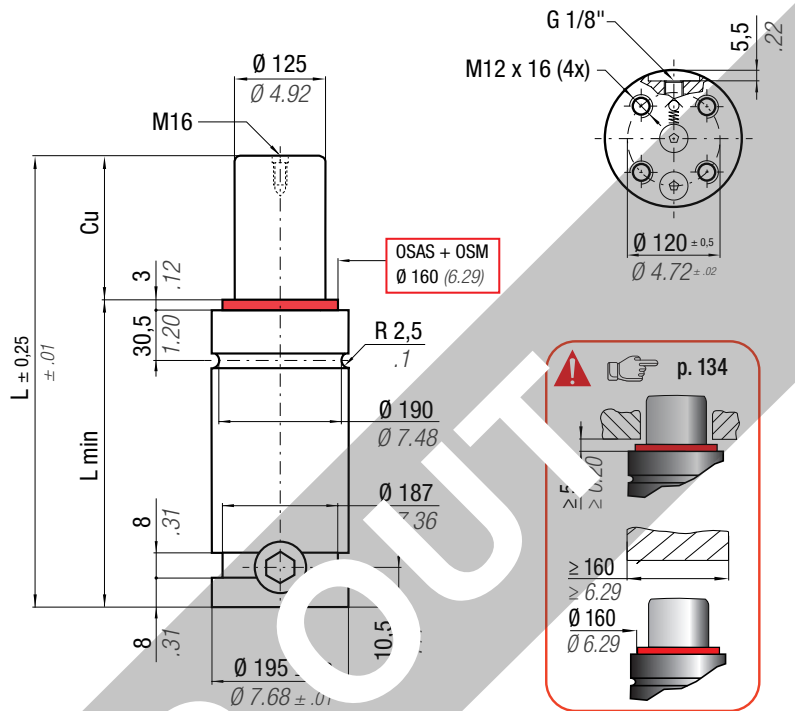
OPAS

Il nuovo codice sarà fornito solo ad esaurimento del vecchio
 The new code will be supplied only when the old will be out of stock
 Der neue Kode wird nur angegeben, wenn der alte nicht mehr lieferbar ist
 Le nouveau code sera fourni uniquement lorsque le vieux stock sera écoulé
 El nuevo código será suministrado sólo cuando se agoten las existencias del antiguo
 O novo código irá ser fornecido apenas quando o antigo esgotar stock

easu MANIPOL p. 247

* F_{1i} = Isothermal end force at 100% Cu p. 16

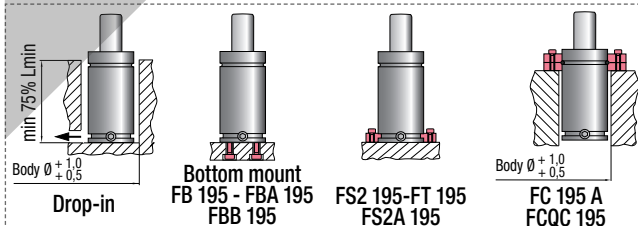
** F_{1p} = Polytropic end force at 100% Cu



	0 - 80 °C 32 - 176 °F	ΔP ± 0,33 %/°C	P max 150 bar 2175 psi	P min 20 bar 290 psi	S 12 49,019 m ²	SPM ~ 10 - 70 (at 20°C)	Max Speed 1,8 m/s 70.8 in/s	Maintenance kit 39BMH18500C
--	--------------------------	---------------------------	------------------------------	----------------------------	----------------------------------	-------------------------------	-----------------------------------	--------------------------------

CODE	NEW	Cu	L	min	F ₀	F _{1i} *	F _{1p} **	V ₀		PED
PHASING OUT from 04/2021		mm / inch	mm / inch	mm / inch	daN / lb	daN / lb	daN / lb	cm ³ / in ³	~Kg / ~lb	2014/68/EU
H 18500 - 025 - C	◆ H 18500 - 025 - D	25 / 0.98	21 / 0.83	19 / 0.75	7.20	23870 / 53662	27205 / 61158	1564 / 95.44	31,06 / 68.48	✓
H 18500 - 038 - C	H 18500 - 038 - D	38 / 1.50	236 / 9.29	195 / 7.70		25611 / 57576	29871 / 67152	1924 / 117.42	32,53 / 71.72	✓
H 18500 - 050 - C	H 18500 - 050 - D	50 / 1.97	260 / 10.24	210 / 8.27		26853 / 60367	31808 / 71508	2257 / 137.72	33,89 / 74.71	✓
H 18500 - 063 - C	H 18500 - 063 - D	63 / 2.48	280 / 11.02	223 / 8.80		27923 / 62774	33503 / 75318	2617 / 159.70	35,36 / 77.96	✓
H 18500 - 075 - C	H 18500 - 075 - D	75 / 2.95	300 / 11.81	235 / 9.25	18400 / 41363	28728 / 64584	34791 / 78214	2950 / 179.99	36,70 / 80.91	✓
H 18500 - 080 - C	H 18500 - 080 - D	80 / 3.15	320 / 12.60	240 / 9.45	± 5%	29023 / 65245	35265 / 79280	3088 / 188.44	37,28 / 82.19	✓
H 18500 - 100 - C	H 18500 - 100 - D	100 / 3.94	360 / 14.17	260 / 10.24		30016 / 67478	36876 / 82901	3642 / 222.26	39,54 / 87.17	✓
H 18500 - 125 - C	H 18500 - 125 - D	125 / 4.92	410 / 16.14	285 / 11.22	150 bar / 2175 psi	30954 / 69587	38414 / 86359	4335 / 264.54	42,37 / 93.41	✓
H 18500 - 150 - C	H 18500 - 150 - D	150 / 5.91	460 / 18.11	310 / 12.20		31668 / 71192	39595 / 89014	5028 / 306.81	45,19 / 99.63	✓
H 18500 - 160 - C	H 18500 - 160 - D	160 / 6.30	480 / 18.90	320 / 12.60	+ 20 °C / +68 °F	31908 / 71732	39994 / 89911	5305 / 323.72	46,33 / 102.14	✓
H 18500 - 175 - C	H 18500 - 175 - D	175 / 6.89	510 / 20.08	335 / 13.19		32229 / 72454	40530 / 91116	5721 / 349.09	48,00 / 108.00	✓
H 18500 - 200 - C	H 18500 - 200 - D	200 / 7.87	560 / 22.05	360 / 14.17		32683 / 73473	41289 / 92821	6413 / 391.36	50,85 / 112.11	✓
H 18500 - 250 - C	H 18500 - 250 - D	250 / 9.84	660 / 25.98	410 / 16.14		33369 / 75016	42444 / 95418	7799 / 475.91	56,51 / 124.58	✓
H 18500 - 300 - C	H 18500 - 300 - D	300 / 11.81	760 / 29.92	460 / 18.11		33864 / 76130	43283 / 97303	9184 / 560.45	62,16 / 137.04	✓

◆ Disposable



HOW TO ORDER

p. 135

INSTALLATION GUIDELINE

p. 205