

ACTIVE SAFETY



OSAS



USAS



OPAS

Il nuovo codice sarà fornito solo ad esaurimento del vecchio

The new code will be supplied only when the old will be out of stock

Der neue Kode wird nur angegeben, wenn der alte nicht mehr lieferbar ist

Le nouveau code sera fourni uniquement lorsque le vieux stock sera écoulé

El nuevo código será suministrado sólo cuando se agoten las existencias del antiguo

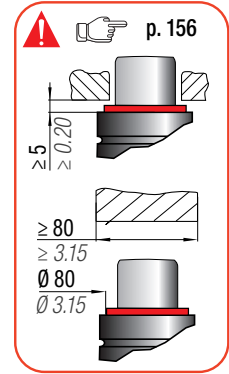
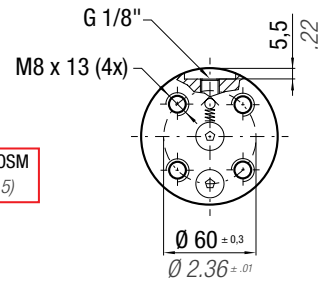
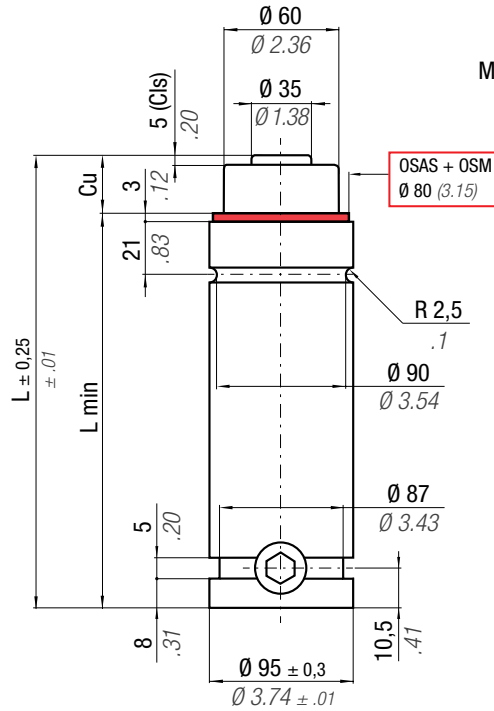
O novo código irá ser fornecido apenas quando o antigo esgotar stock

* $F_{1i} =$

Isothermal end force at 100% Cu p. 16

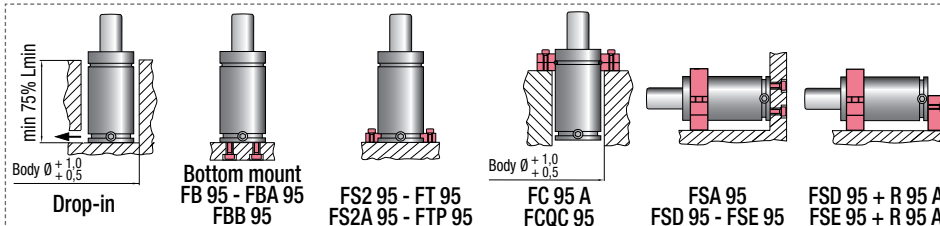
** $F_{1p} =$

Polytrophic end force at 100% Cu



N ₂		0 - 80 °C 32 - 176 °F	ΔP ± 0,33 %/°C	P max 100 bar 1450 psi	P min 20 bar 290 psi	S 28,27 cm ² 4.382 in ²	SPM ~ 15 - 60 (at 20°C)	Max Speed 1,8 m/s 70.8 in/s	Maintenance kit 39BMLS03000B		
CODE	NEW	Cu	L	L min	F ₀	F Cis	F _{1i} *	F _{1p} **	V ₀		PED
PHASING OUT from 04/2021		mm inch	mm inch	mm inch	Initial force daN lb	daN lb	daN lb	daN lb	cm ³ in ³	~Kg ~lb	2014/68/EU
LS 3000 - 025 - A	LS 3000 - 025 - B	25 0.98	170 6.69	145 5.71			4066 9141	5027 11301	200 12.17	6,02 13.27	✓
LS 3000 - 038 - A	LS 3000 - 038 - B	38 1.50	196 7.72	158 6.22			4373 9831	5586 12558	283 17.27	6,37 14.04	✓
LS 3000 - 050 - A	LS 3000 - 050 - B	50 1.97	220 8.66	170 6.69	0 0	2830 6362	4548 10224	5912 13292	360 21.97	6,70 14.77	✓
LS 3000 - 063 - A	LS 3000 - 063 - B	63,5 2.50	247 9.72	183,5 7.22	± 5%	± 5%	4681 10522	6164 13858	447 27.26	7,07 15.59	✓
LS 3000 - 080 - A	LS 3000 - 080 - B	80 3.15	280 11.02	200 7.87			4792 10772	6378 14338	553 33.73	7,52 16.58	✓
LS 3000 - 100 - A	LS 3000 - 100 - B	100 3.94	320 12.60	220 8.66	100 bar 1450 psi	100 bar 1450 psi	4884 10979	6556 14739	681 41.57	8,07 17.79	✓
LS 3000 - 125 - A	LS 3000 - 125 - B	125 4.92	370 14.57	245 9.65			4959 11149	6704 15071	842 51.40	8,77 19.33	✓
LS 3000 - 160 - A	LS 3000 - 160 - B	160 6.30	440 17.32	280 11.02	+ 20 °C +68 °F	+ 20 °C +68 °F	5032 11312	6846 15391	1067 65.12	9,73 21.45	✓
LS 3000 - 200 - A	LS 3000 - 200 - B	200 7.87	520 20.47	320 12.60			5086 11433	6953 15630	1324 80.80	10,83 23.88	✓
LS 3000 - 250 - A	LS 3000 - 250 - B	250 9.84	620 24.41	370 14.57			5130 11533	7041 15829	1645 100.39	12,20 26.90	✓
LS 3000 - 300 - A	LS 3000 - 300 - B	300 11.81	720 28.35	420 16.54			5161 11602	7102 15965	1966 119.98	13,57 29.92	✓

◆ Disposable



HOW TO ORDER

p. 157

INSTALLATION GUIDELINE

p. 205