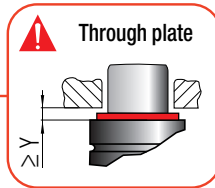
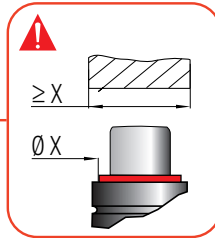


Over Stroke Marker

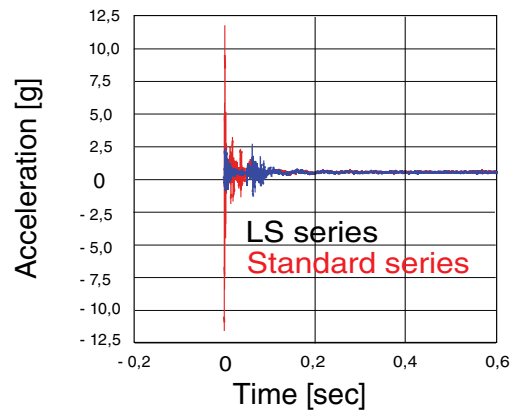
Uncontrolled Speed Active Safety

Over Stroke Active Safety

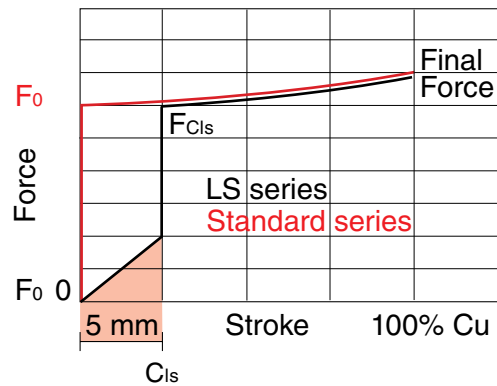
Over Pressure Active Safety



INITIAL IMPACT VIBRATIONS



FORCE CURVE



- 55 % noise
- 50 % vibrations

Forza iniziale nulla - Zero force on contact - Ausgangsleistung null
Force iniziale nulle - Fuerza inicial cero - Força inicial nula

SEALING	ROD SEAL
DESIGN	BUSH - BODY DESIGN

1	Body	5	Back-up ring	9	Retaining ring
2	Plug	6	Guide ring	10	Rod wiper
3	Valve	7	Spring	11	Bush
4	Rod seal	8	Dual ring seal	12	Rod (nitrided superfinished)

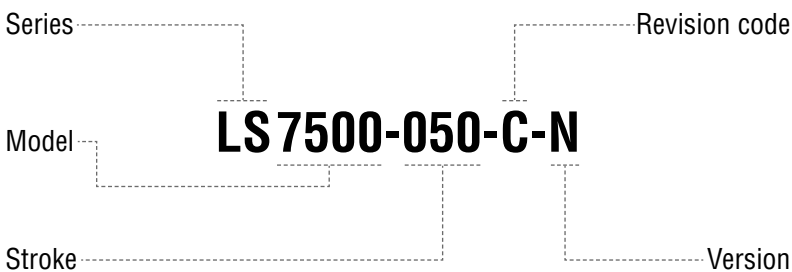
RANGE CHART

Model	Body Ø		Stroke Cu		Initial force F0						
	mm	inch	mm	inch	daN	lb	OSAS	USAS	OPAS	SKUDO	SW
LS 1500	75	2.95	25 - 300	0.98 - 11.81	1590	3574	✓	✓	✓	-	-
LS 2400	75	2.95	25 - 300	0.98 - 11.81	2385	5362	✓	✓	✓	-	-
LS 3000	95	3.74	25 - 300	0.98 - 11.81	2830	6362	✓	✓	✓	-	-
LS 4200	95	3.74	25 - 300	0.98 - 11.81	4240	9532	✓	✓	✓	-	-
LS 5000	120	4.72	25 - 300	0.98 - 11.81	4418	9932	✓	✓	✓	-	-
LS 6600	120	4.72	25 - 300	0.98 - 11.81	6630	14905	✓	✓	✓	-	-
LS 7500	150	5.91	25 - 300	0.98 - 11.81	7630	17152	✓	✓	✓	-	-
LS 9500	150	5.91	25 - 300	0.98 - 11.81	9540	21446	✓	✓	✓	-	-

✓ Built-in as standard

✓ Optional upon request

HOW TO ORDER



Available versions



LS 7500-050-C
Standard code



Self contained



LS 7500-050-C-N
Add "-N" to standard code



Linkable

ACTIVE SAFETY



OSAS



USAS



OPAS

Il nuovo codice sarà fornito solo ad esaurimento del vecchio

The new code will be supplied only when the old will be out of stock

Der neue Kode wird nur angegeben, wenn der alte nicht mehr lieferbar ist

Le nouveau code sera fourni uniquement lorsque le vieux stock sera écoulé

El nuevo código será suministrado sólo cuando se agoten las existencias del antiguo

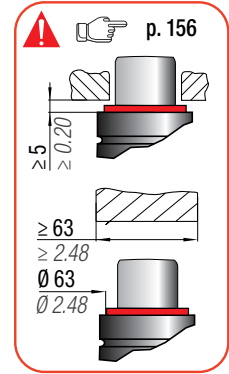
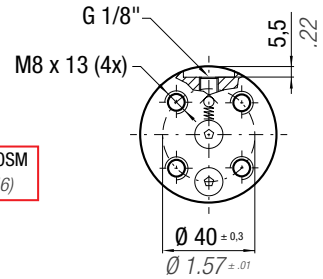
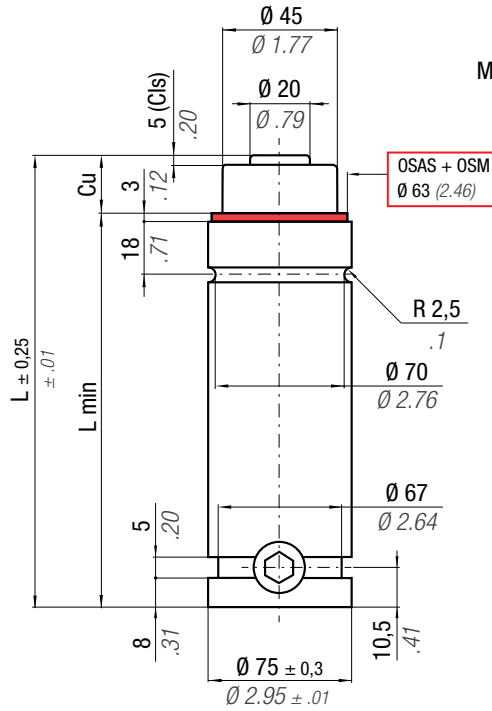
O novo código irá ser fornecido apenas quando o antigo esgotar stock

* $F_{1i} =$

Isothermal end force at 100% Cu p. 16

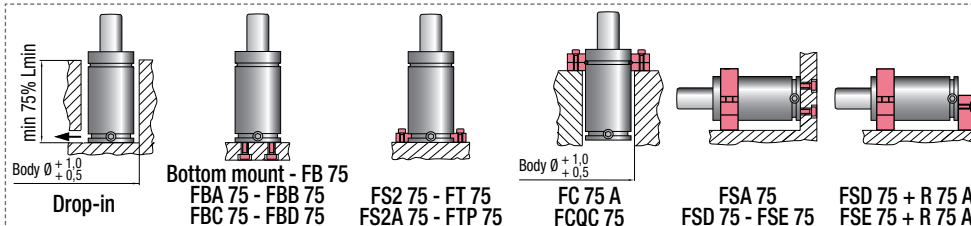
** $F_{1p} =$

Polytrophic end force at 100% Cu



		0 - 80 °C 32 - 176 °F	ΔP ± 0,33 %/°C	P max 100 bar 1450 psi	P min 20 bar 290 psi	S 15,90 cm ² 2.465 in ²	SPM ~ 15 - 60 (at 20°C)	Max Speed 1,8 m/s 70.8 in/s	Maintenance kit 39BMLS01500B		
CODE	NEW	Cu	L	L min	F0	F Cls	F _{1i} *	F _{1p} **	V0		
PHASING OUT from 04/2021		mm inch	mm inch	mm inch	Initial force daN lb	daN lb	End force * daN lb	End force ** daN lb	cm ³ in ³	~Kg ~lb	2014/68/EU
LS 1500 - 025 - A	LS 1500 - 025 - B	25 0.98	160 6.30	135 5.31			2322 5220	2890 6497	108 6.61	3,55 7.83	✓
LS 1500 - 038 - A	LS 1500 - 038 - B	38 1.50	186 7.32	148 5.83			2457 5525	3137 7052	160 9.73	3,77 8.31	✓
LS 1500 - 050 - A	LS 1500 - 050 - B	50 1.97	210 8.27	160 6.30	0 0	1590 3574	2528 5683	3270 7351	207 12.61	3,96 8.73	✓
LS 1500 - 063 - A	LS 1500 - 063 - B	63,5 2.50	237 9.33	173,5 6.83	± 5%	± 5%	2579 5798	3366 7567	260 15.84	4,18 9.22	✓
LS 1500 - 080 - A	LS 1500 - 080 - B	80 3.15	270 10.63	190 7.48			2621 5892	3445 7745	324 19.80	4,45 9.81	✓
LS 1500 - 100 - A	LS 1500 - 100 - B	100 3.94	310 12.20	210 8.27	100 bar 1450 psi	100 bar 1450 psi	2654 5966	3509 7889	403 24.59	4,80 10.58	✓
LS 1500 - 125 - A	LS 1500 - 125 - B	125 4.92	360 14.17	235 9.25			2682 6029	3561 8005	501 30.58	5,20 11.46	✓
LS 1500 - 160 - A	LS 1500 - 160 - B	160 6.30	430 16.93	270 10.63	+ 20 °C +68 °F	+ 20 °C +68 °F	2706 6083	3608 8111	639 38.98	5,77 12.72	✓
LS 1500 - 200 - A	LS 1500 - 200 - B	200 7.87	510 20.08	310 12.20			2725 6126	3644 8192	796 48.56	6,42 14.15	✓
LS 1500 - 250 - A	LS 1500 - 250 - B	250 9.84	610 24.02	360 14.17			2739 6158	3673 8257	992 60.54	7,24 15.96	✓
LS 1500 - 300 - A	LS 1500 - 300 - B	300 11.81	710 27.95	410 16.14			2749 6180	3692 8300	1188 72.52	8,05 17.75	✓

◆ Disposable

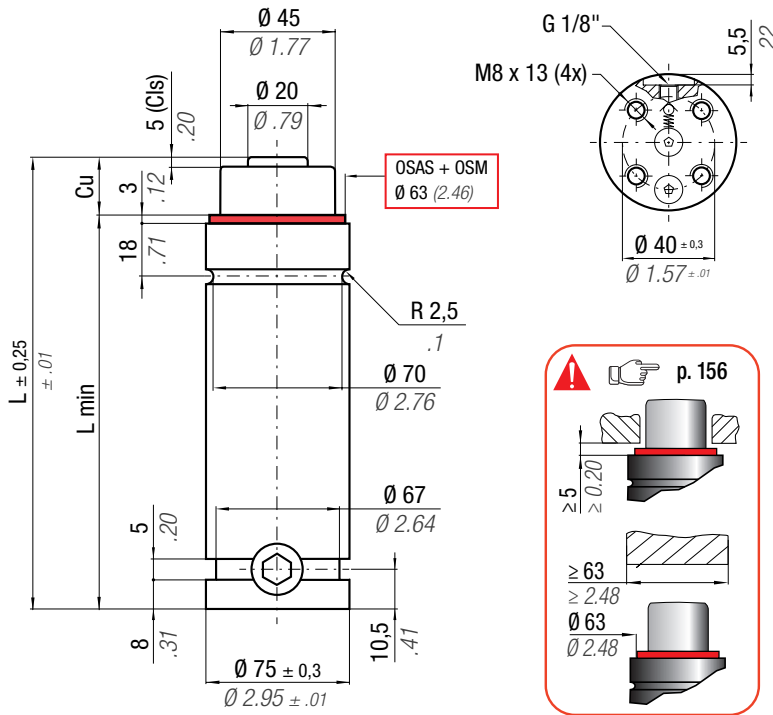


HOW TO ORDER

p. 157

INSTALLATION GUIDELINE

p. 205



Il nuovo codice sarà fornito solo ad esaurimento del vecchio

The new code will be supplied only when the old will be out of stock

Der neue Kode wird nur angegeben, wenn der alte nicht mehr lieferbar ist

Le nouveau code sera fourni uniquement lorsque le vieux stock sera écoulé

El nuevo código será suministrado sólo cuando se agoten las existencias del antiguo

O novo código irá ser fornecido apenas quando o antigo esgotar stock

* $F_{1i} =$

Isothermal end force at 100% Cu



p. 16

** $F_{1p} =$

Polytrophic end force at 100% Cu



ACTIVE SAFETY



OSAS



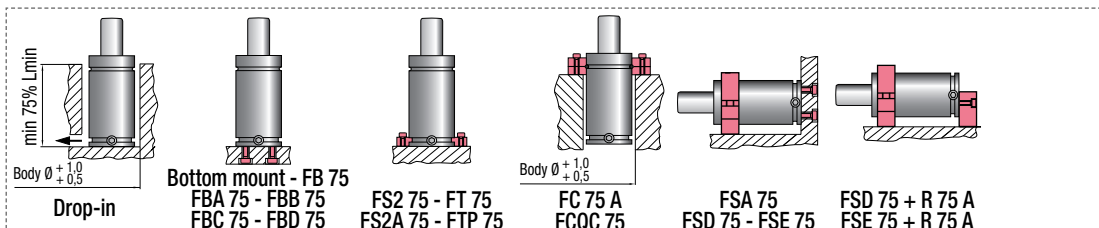
USAS



OPAS

N ₂		0 - 80 °C 32 - 176 °F	ΔP ± 0,33 %/°C	P max 150 bar 2175 psi	P min 20 bar 290 psi	S 15,90 cm ² 2.465 in ²	SPM ~ 15 - 60 (at 20°C)	Max Speed 1,8 m/s 70.8 in/s	Maintenance kit 39BMLS01500B		
CODE	NEW	Cu	L	L min	F ₀	F Cls	F _{1i} *	F _{1p} **	V ₀		
PHASING OUT from 04/2021		mm inch	mm inch	mm inch	Initial force daN lb	daN lb	End force * daN lb	End force ** daN lb	cm ³ in ³	~Kg ~lb	2014/68/EU
LS 2400 - 025 - A	LS 2400 - 025 - B	25 0.98	160 6.30	135 5.31			3607 8109	4323 9718	108 6.61	3,55 7.83	✓
LS 2400 - 038 - A	LS 2400 - 038 - B	38 1.50	186 7.32	148 5.83			3836 8624	4692 10548	160 9.73	3,77 8.31	✓
LS 2400 - 050 - A	LS 2400 - 050 - B	50 1.97	210 8.27	160 6.30	0 0	2385 5362	3958 8898	4890 10993	207 12.61	3,96 8.73	✓
LS 2400 - 063 - A	LS 2400 - 063 - B	63,5 2.50	237 9.33	173,5 6.83	± 5%	± 5%	4045 9094	5034 11317	260 15.84	4,18 9.22	✓
LS 2400 - 080 - A	LS 2400 - 080 - B	80 3.15	270 10.63	190 7.48			4116 9253	5152 11582	324 19.80	4,45 9.81	✓
LS 2400 - 100 - A	LS 2400 - 100 - B	100 3.94	310 12.20	210 8.27	150 bar 2175 psi	150 bar 2175 psi	4173 9381	5247 11796	403 24.59	4,80 10.58	✓
LS 2400 - 125 - A	LS 2400 - 125 - B	125 4.92	360 14.17	235 9.25			4221 9489	5326 11973	501 30.58	5,20 11.46	✓
LS 2400 - 160 - A	LS 2400 - 160 - B	160 6.30	430 16.93	270 10.63	+ 20 °C +68 °F	+ 20 °C +68 °F	4263 9584	5396 12131	639 38.98	5,77 12.72	✓
LS 2400 - 200 - A	LS 2400 - 200 - B	200 7.87	510 20.08	310 12.20			4294 9653	5449 12250	796 48.56	6,42 14.15	✓
LS 2400 - 250 - A	LS 2400 - 250 - B	250 9.84	610 24.02	360 14.17			4319 9709	5492 12347	992 60.54	7,24 15.96	✓
LS 2400 - 300 - A	LS 2400 - 300 - B	300 11.81	710 27.95	410 16.14			4336 9748	5521 12412	1188 72.52	8,05 17.75	✓

◆ Disposable



HOW TO ORDER

p. 157

INSTALLATION GUIDELINE

p. 205

ACTIVE SAFETY



OSAS



USAS



OPAS

Il nuovo codice sarà fornito solo ad esaurimento del vecchio

The new code will be supplied only when the old will be out of stock

Der neue Kode wird nur angegeben, wenn der alte nicht mehr lieferbar ist

Le nouveau code sera fourni uniquement lorsque le vieux stock sera écoulé

El nuevo código será suministrado sólo cuando se agoten las existencias del antiguo

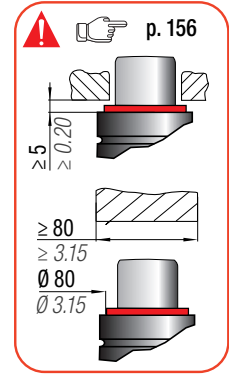
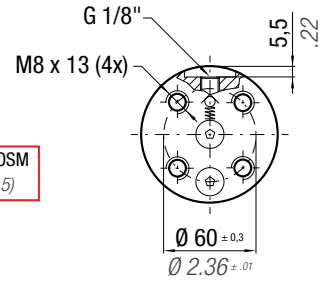
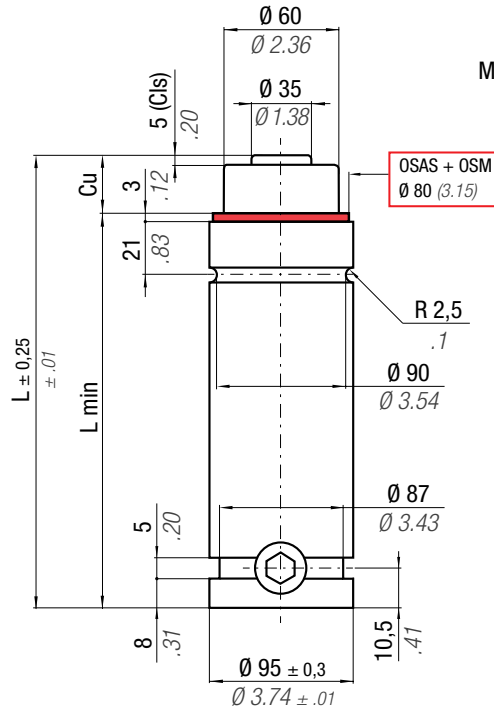
O novo código irá ser fornecido apenas quando o antigo esgotar stock

* $F_{1i} =$

Isothermal end force at 100% Cu p. 16

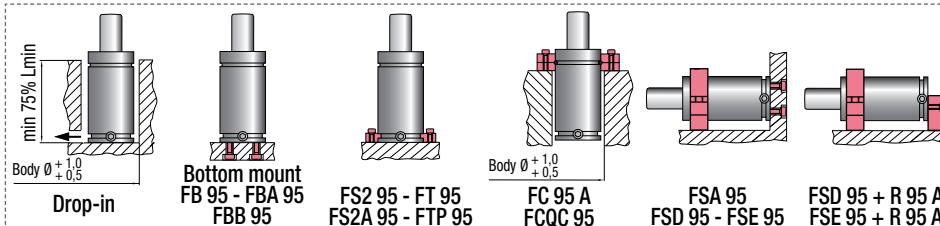
** $F_{1p} =$

Polytrophic end force at 100% Cu



		0 - 80 °C 32 - 176 °F	ΔP $\pm 0,33 \% / ^\circ C$	P max 100 bar 1450 psi	P min 20 bar 290 psi	S 28,27 cm ² 4.382 in ²	SPM ~ 15 - 60 (at 20°C)	Max Speed 1,8 m/s 70.8 in/s	Maintenance kit 39BMLS03000B		
CODE	NEW	Cu	L	L min	F0	F Cls	F _{1i} *	F _{1p} **	V0		
PHASING OUT from 04/2021		mm inch	mm inch	mm inch	Initial force daN lb	daN lb	daN lb	daN lb	cm ³ in ³	~Kg ~lb	2014/68/EU
LS 3000 - 025 - A	LS 3000 - 025 - B	25 0.98	170 6.69	145 5.71			4066 9141	5027 11301	200 12.17	6,02 13.27	✓
LS 3000 - 038 - A	LS 3000 - 038 - B	38 1.50	196 7.72	158 6.22			4373 9831	5586 12558	283 17.27	6,37 14.04	✓
LS 3000 - 050 - A	LS 3000 - 050 - B	50 1.97	220 8.66	170 6.69	0 0	2830 6362	4548 10224	5912 13292	360 21.97	6,70 14.77	✓
LS 3000 - 063 - A	LS 3000 - 063 - B	63,5 2.50	247 9.72	183,5 7.22	$\pm 5\%$	$\pm 5\%$	4681 10522	6164 13858	447 27.26	7,07 15.59	✓
LS 3000 - 080 - A	LS 3000 - 080 - B	80 3.15	280 11.02	200 7.87			4792 10772	6378 14338	553 33.73	7,52 16.58	✓
LS 3000 - 100 - A	LS 3000 - 100 - B	100 3.94	320 12.60	220 8.66	100 bar 1450 psi	100 bar 1450 psi	4884 10979	6556 14739	681 41.57	8,07 17.79	✓
LS 3000 - 125 - A	LS 3000 - 125 - B	125 4.92	370 14.57	245 9.65			4959 11149	6704 15071	842 51.40	8,77 19.33	✓
LS 3000 - 160 - A	LS 3000 - 160 - B	160 6.30	440 17.32	280 11.02	+ 20 °C +68 °F	+ 20 °C +68 °F	5032 11312	6846 15391	1067 65.12	9,73 21.45	✓
LS 3000 - 200 - A	LS 3000 - 200 - B	200 7.87	520 20.47	320 12.60			5086 11433	6953 15630	1324 80.80	10,83 23.88	✓
LS 3000 - 250 - A	LS 3000 - 250 - B	250 9.84	620 24.41	370 14.57			5130 11533	7041 15829	1645 100.39	12,20 26.90	✓
LS 3000 - 300 - A	LS 3000 - 300 - B	300 11.81	720 28.35	420 16.54			5161 11602	7102 15965	1966 119.98	13,57 29.92	✓

◆ Disposable

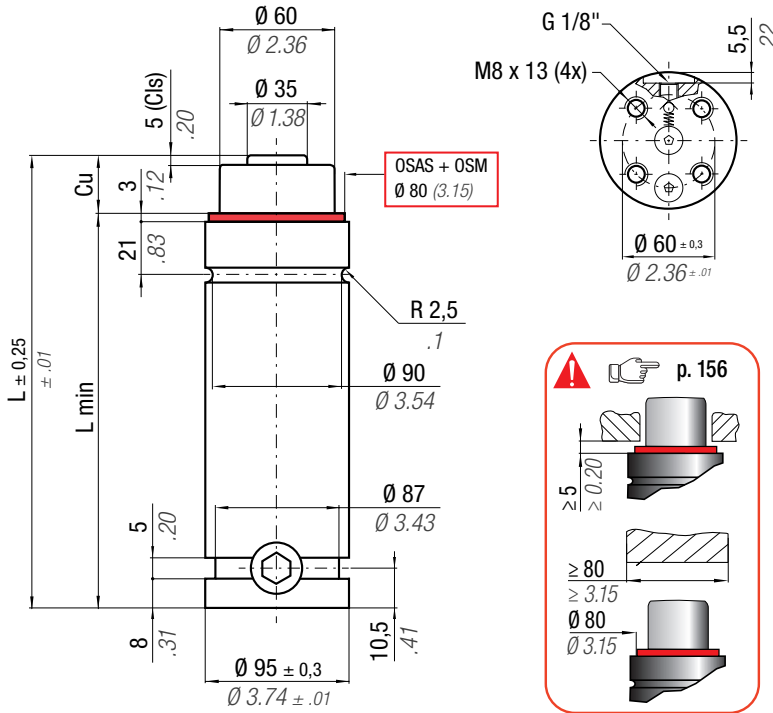


HOW TO ORDER

p. 157

INSTALLATION GUIDELINE

p. 205



Il nuovo codice sarà fornito solo ad esaurimento del vecchio

The new code will be supplied only when the old will be out of stock

Der neue Kode wird nur angegeben, wenn der alte nicht mehr lieferbar ist

Le nouveau code sera fourni uniquement lorsque le vieux stock sera écoulé

El nuevo código será suministrado sólo cuando se agoten las existencias del antiguo

O novo código irá ser fornecido apenas quando o antigo esgotar stock

* $F_{1i} =$

Isothermal end force at 100% Cu

** $F_{1p} =$

Polytrophic end force at 100% Cu

ACTIVE SAFETY



OSAS



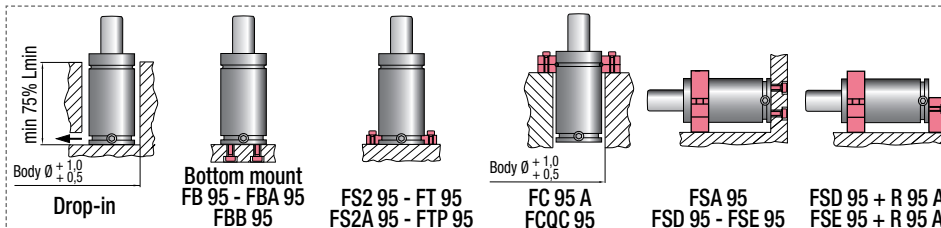
USAS



OPAS

		0 - 80 °C 32 - 176 °F	ΔP ± 0,33 %/°C	P max 150 bar 2175 psi	P min 20 bar 290 psi	S 28,27 cm ² 4.382 in ²	SPM ~ 15 - 60 (at 20°C)	Max Speed 1,8 m/s 70.8 in/s	Maintenance kit 39BMLS03000B		
CODE	NEW	Cu	L	L min	F ₀	F Cls	F _{1i} *	F _{1p} **	V ₀		
PHASING OUT from 04/2021		mm inch	mm inch	mm inch	Initial force daN lb	daN lb	End force * daN lb	End force ** daN lb	cm ³ in ³	~Kg ~lb	2014/68/EU
LS 4200 - 025 - A	LS 4200 - 025 - B	25 0.98	170 6.69	145 5.71			6306 14176	7517 16898	200 12.17	6,02 13.27	✓
LS 4200 - 038 - A	LS 4200 - 038 - B	38 1.50	196 7.72	158 6.22			6827 15348	8352 18777	283 17.27	6,37 14.04	✓
LS 4200 - 050 - A	LS 4200 - 050 - B	50 1.97	220 8.66	170 6.69	0 0	4240 9532	7126 16019	8840 19874	360 21.97	6,70 14.77	✓
LS 4200 - 063 - A	LS 4200 - 063 - B	63,5 2.50	247 9.72	183,5 7.22	± 5%	± 5%	7353 16530	9217 20721	447 27.26	7,07 15.59	✓
LS 4200 - 080 - A	LS 4200 - 080 - B	80 3.15	280 11.02	200 7.87			7544 16960	9536 21439	553 33.73	7,52 16.58	✓
LS 4200 - 100 - A	LS 4200 - 100 - B	100 3.94	320 12.60	220 8.66	150 bar 2175 psi	150 bar 2175 psi	7703 17316	9803 22039	681 41.57	8,07 17.79	✓
LS 4200 - 125 - A	LS 4200 - 125 - B	125 4.92	370 14.57	245 9.65			7833 17608	10024 22534	842 51.40	8,77 19.33	✓
LS 4200 - 160 - A	LS 4200 - 160 - B	160 6.30	440 17.32	280 11.02	+ 20 °C +68 °F	+ 20 °C +68 °F	7957 17889	10236 23013	1067 65.12	9,73 21.45	✓
LS 4200 - 200 - A	LS 4200 - 200 - B	200 7.87	520 20.47	320 12.60			8051 18099	10396 23371	1324 80.80	10,83 23.88	✓
LS 4200 - 250 - A	LS 4200 - 250 - B	250 9.84	620 24.41	370 14.57			8128 18272	10528 23668	1645 100.39	12,20 26.90	✓
LS 4200 - 300 - A	LS 4200 - 300 - B	300 11.81	720 28.35	420 16.54			8180 18390	10619 23872	1966 119.98	13,57 29.92	✓

◆ Disposable



HOW TO ORDER

p. 157

INSTALLATION GUIDELINE

p. 205

Il nuovo codice sarà fornito solo ad esaurimento del vecchio

The new code will be supplied only when the old will be out of stock

Der neue Kode wird nur angegeben, wenn der alte nicht mehr lieferbar ist

Le nouveau code sera fourni uniquement lorsque le vieux stock sera écoulé

El nuevo código será suministrado sólo cuando se agoten las existencias del antiguo

O novo código irá ser fornecido apenas quando o antigo esgotar stock

ACTIVE SAFETY



OSAS



USAS



OPAS

* $F_{1i} =$

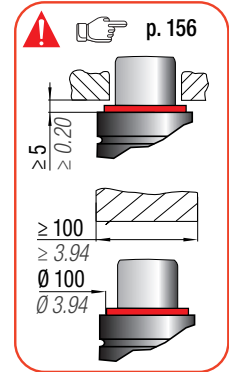
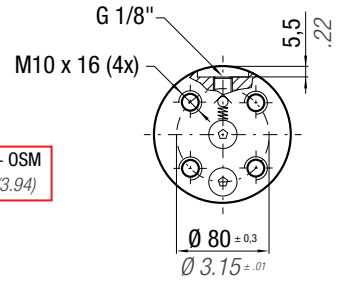
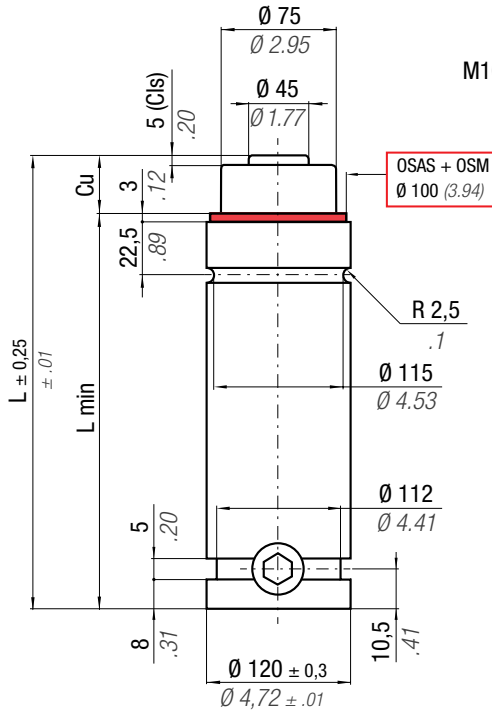
Isothermal end force at 100% Cu



p. 16

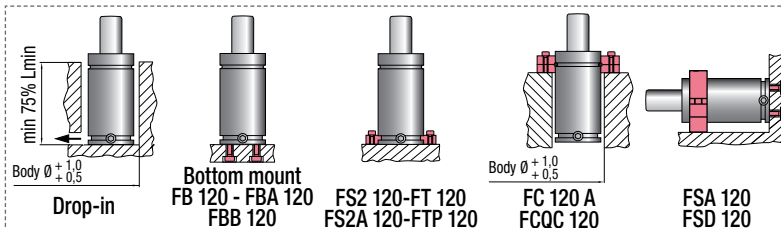
** $F_{1p} =$

Polytrophic end force at 100% Cu



N ₂		0 - 80 °C 32 - 176 °F	ΔP ± 0,33 %/°C	P max 100 bar 1450 psi	P min 20 bar 290 psi	S 44,18 cm ² 6.848 in ²	SPM ~ 15 - 60 (at 20°C)	Max Speed 1,8 m/s 70.8 in/s	Maintenance kit 39BMLS05000B		
CODE	NEW	Cu	L	L min	F ₀	F Cis	F _{1i} *	F _{1p} **	V ₀	PED	
PHASING OUT from 04/2021		mm inch	mm inch	mm inch	Initial force daN lb	daN lb	End force * daN lb	End force ** daN lb	cm ³ in ³	~Kg ~lb	2014/68/EU
LS 5000 - 025 - A	LS 5000 - 025 - B	25 0.98	190 7.48	165 6.50			6021 13536	7267 16336	357 21.80	10,60 23.37	✓
LS 5000 - 038 - A	LS 5000 - 038 - B	38 1.50	216 8.50	178 7.01			6537 14695	8185 18401	483 29.47	12,00 26.46	✓
LS 5000 - 050 - A	LS 5000 - 050 - B	50 1.97	240 9.45	190 7.48	0 0	4418 9932	6858 15417	8775 19727	599 36.54	13,20 29.10	✓
LS 5000 - 063 - A	LS 5000 - 063 - B	63,5 2.50	267 10.51	203,5 8.01	± 5%	± 5%	7118 16002	9261 20819	729 44.50	13,60 29.98	✓
LS 5000 - 080 - A	LS 5000 - 080 - B	80 3.15	300 11.81	220 8.66			7346 16515	9695 21796	889 54.23	14,10 31.09	✓
LS 5000 - 100 - A	LS 5000 - 100 - B	100 3.94	340 13.39	240 9.45	100 bar 1450 psi	100 bar 1450 psi	7544 16959	10075 22650	1082 66.02	15,40 33.95	✓
LS 5000 - 125 - A	LS 5000 - 125 - B	125 4.92	390 15.35	265 10.43			7718 17350	10413 23410	1323 80.76	16,90 37.26	✓
LS 5000 - 160 - A	LS 5000 - 160 - B	160 6.30	460 18.11	300 11.81	+ 20 °C +68 °F	+ 20 °C +68 °F	7883 17722	10738 24140	1662 101.40	18,70 41.23	✓
LS 5000 - 200 - A	LS 5000 - 200 - B	200 7.87	540 21.26	340 13.39			8009 18006	10989 24704	2048 124.98	21,70 47.84	✓
LS 5000 - 250 - A	LS 5000 - 250 - B	250 9.84	640 25.20	390 15.35			8116 18246	11202 25182	2531 154.46	24,80 54.67	✓
LS 5000 - 300 - A	LS 5000 - 300 - B	300 11.81	740 29.13	440 17.32			8190 18412	11350 25516	3014 183.93	28,00 61.73	✓

◆ Disposable

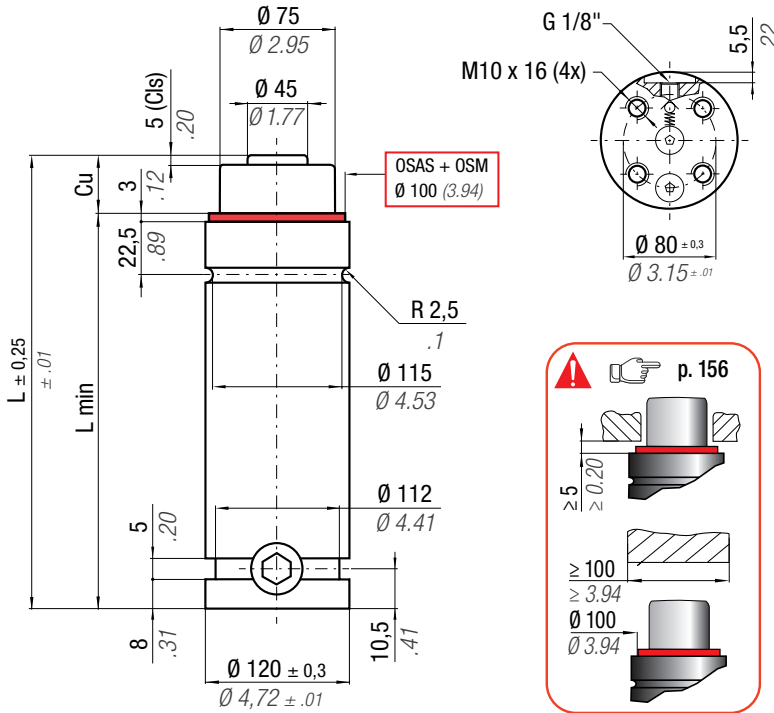


HOW TO ORDER

Hand icon p. 157

INSTALLATION GUIDELINE

Hand icon p. 205



Il nuovo codice sarà fornito solo ad esaurimento del vecchio

The new code will be supplied only when the old will be out of stock

Der neue Kode wird nur angegeben, wenn der alte nicht mehr lieferbar ist

Le nouveau code sera fourni uniquement lorsque le vieux stock sera écoulé

El nuevo código será suministrado sólo cuando se agoten las existencias del antiguo

O novo código irá ser fornecido apenas quando o antigo esgotar stock

* $F_{1i} =$

Isothermal end force at 100% Cu

** $F_{1p} =$

Polytrophic end force at 100% Cu

ACTIVE SAFETY



OSAS



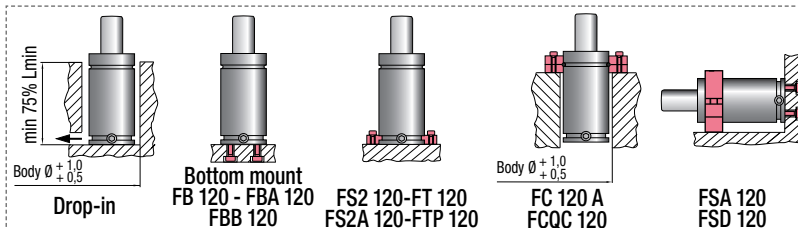
USAS



OPAS

N ₂		0 - 80 °C 32 - 176 °F	ΔP ± 0,33 %/°C	P max 150 bar 2175 psi	P min 20 bar 290 psi	S 44,18 cm ² 6.848 in ²	SPM ~ 15 - 60 (at 20°C)	Max Speed 1,8 m/s 70.8 in/s	Maintenance kit 39BMLS05000B		
CODE	NEW	Cu	L	L min	F ₀	F Cls	F _{1i} *	F _{1p} **	V ₀		
PHASING OUT from 04/2021		mm inch	mm inch	mm inch	Initial force daN lb	daN lb	End force * daN lb	End force ** daN lb	cm ³ in ³	~Kg ~lb	2014/68/EU
LS 6600 - 025 - A	LS 6600 - 025 - B	25 0.98	190 7.48	165 6.50			9292 20890	10865 24426	357 21.80	10,60 23.37	✓
LS 6600 - 038 - A	LS 6600 - 038 - B	38 1.50	216 8.50	178 7.01			10164 22849	12238 27513	483 29.47	12,00 26.46	✓
LS 6600 - 050 - A	LS 6600 - 050 - B	50 1.97	240 9.45	190 7.48	0 0	6630 14905	10710 24078	13121 29496	599 36.54	13,20 29.10	✓
LS 6600 - 063 - A	LS 6600 - 063 - B	63,5 2.50	267 10.51	203,5 8.01	± 5%	± 5%	11154 25076	13847 31130	729 44.50	13,60 29.98	✓
LS 6600 - 080 - A	LS 6600 - 080 - B	80 3.15	300 11.81	220 8.66			11546 25956	14497 32590	889 54.23	14,10 31.09	✓
LS 6600 - 100 - A	LS 6600 - 100 - B	100 3.94	340 13.39	240 9.45	150 bar 2175 psi	150 bar 2175 psi	11885 26719	15065 33867	1082 66.02	15,40 33.95	✓
LS 6600 - 125 - A	LS 6600 - 125 - B	125 4.92	390 15.35	265 10.43			12185 27392	15571 35004	1323 80.76	16,90 37.26	✓
LS 6600 - 160 - A	LS 6600 - 160 - B	160 6.30	460 18.11	300 11.81	+ 20 °C +68 °F	+ 20 °C +68 °F	12470 28033	16056 36096	1662 101.40	18,70 41.23	✓
LS 6600 - 200 - A	LS 6600 - 200 - B	200 7.87	540 21.26	340 13.39			12688 28524	16431 36938	2048 124.98	21,70 47.84	✓
LS 6600 - 250 - A	LS 6600 - 250 - B	250 9.84	640 25.20	390 15.35			12873 28939	16749 37653	2531 154.46	24,80 54.67	✓
LS 6600 - 300 - A	LS 6600 - 300 - B	300 11.81	740 29.13	440 17.32			13001 29228	16971 38153	3014 183.93	28,00 61.73	✓

◆ Disposable



HOW TO ORDER

p. 157

INSTALLATION GUIDELINE

p. 205

ACTIVE SAFETY



OSAS



USAS



OPAS

Il nuovo codice sarà fornito solo ad esaurimento del vecchio

The new code will be supplied only when the old will be out of stock

Der neue Kode wird nur angegeben, wenn der alte nicht mehr lieferbar ist

Le nouveau code sera fourni uniquement lorsque le vieux stock sera écoulé

El nuevo código será suministrado sólo cuando se agoten las existencias del antiguo

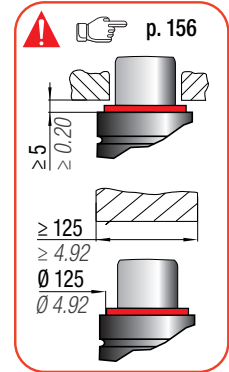
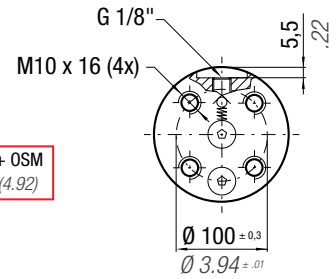
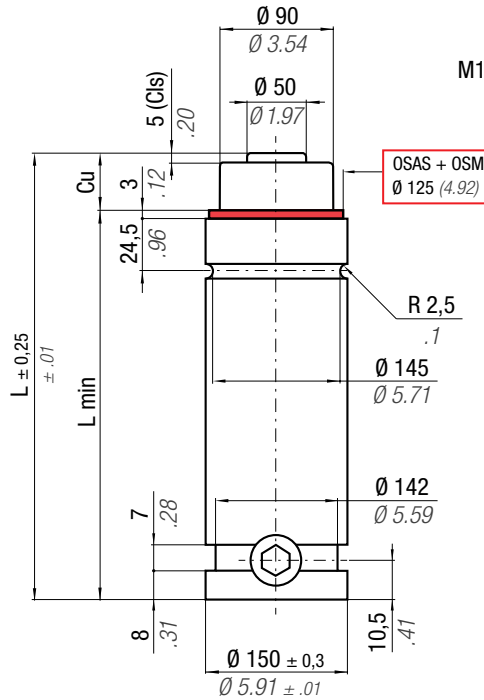
O novo código irá ser fornecido apenas quando o antigo esgotar stock

* $F_{1i} =$

Isothermal end force at 100% Cu p. 16

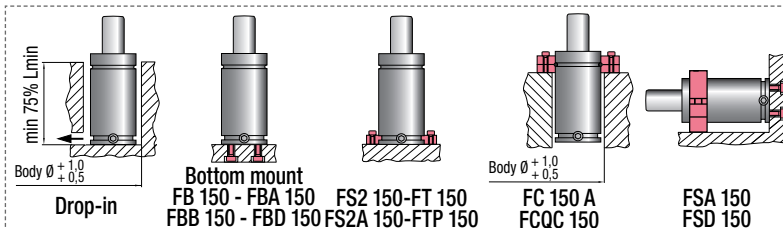
** $F_{1p} =$

Polytropic end force at 100% Cu



		0 - 80 °C 32 - 176 °F	ΔP ± 0,33 %/°C	P max 120 bar 1740 psi	P min 20 bar 290 psi	S 63,61 cm ² 9.860 in ²	SPM ~ 15 - 60 (at 20°C)	Max Speed 1,8 m/s 70.8 in/s	Maintenance kit 39BMLS07500A		
CODE	NEW	Cu	L	L min	F0	F Cls	F _{1i} *	F _{1p} **	V0		
PHASING OUT from 04/2021	NEW	mm inch	mm inch	mm inch	Initial force daN lb	daN lb	daN lb	daN lb	cm ³ in ³	~Kg ~lb	2014/68/EU
LS 7500 - 025 - B	LS 7500 - 025 - C	25 0.98	205 8.07	180 7.09			9817 22070	11303 25411	638 38.91	19,95 43.98	✓
LS 7500 - 038 - B	LS 7500 - 038 - C	38 1.50	231 9.09	193 7.60			10576 23776	12544 28200	838 51.13	21,15 46.63	✓
LS 7500 - 050 - B	LS 7500 - 050 - C	50 1.97	255 10.04	205 8.07	0 0	7630 17152	11065 24875	13362 30039	1023 62.40	21,95 48.39	✓
LS 7500 - 063 - B	LS 7500 - 063 - C	63,5 2.50	282 11.10	218,5 8.60	± 5%	± 5%	11469 25784	14050 31585	1230 75.08	22,75 50.16	✓
LS 7500 - 080 - B	LS 7500 - 080 - C	80 3.15	315 12.40	235 9.25			11832 26600	14675 32991	1484 90.58	24,55 54.12	✓
LS 7500 - 100 - B	LS 7500 - 100 - C	100 3.94	355 13.98	255 10.04	120 bar 1740 psi	120 bar 1740 psi	12151 27316	15230 34239	1792 109.37	26,25 57.87	✓
LS 7500 - 125 - B	LS 7500 - 125 - C	125 4.92	405 15.94	280 11.02			12435 27956	15732 35366	2177 132.85	28,15 62.06	✓
LS 7500 - 160 - B	LS 7500 - 160 - C	160 6.30	475 18.70	315 12.40	+ 20 °C +68 °F	+ 20 °C +68 °F	12710 28572	16219 36461	2716 165.73	31,55 69.56	✓
LS 7500 - 200 - B	LS 7500 - 200 - C	200 7.87	555 21.85	355 13.98			12922 29050	16599 37316	3332 203.31	35,15 77.49	✓
LS 7500 - 250 - B	LS 7500 - 250 - C	250 9.84	655 25.79	405 15.94			13103 29457	16925 38049	4101 250.28	38,65 85.21	✓
LS 7500 - 300 - B	LS 7500 - 300 - C	300 11.81	755 29.72	455 17.91			13229 29741	17154 38564	4871 297.26	42,55 93.81	✓

◆ Disposable

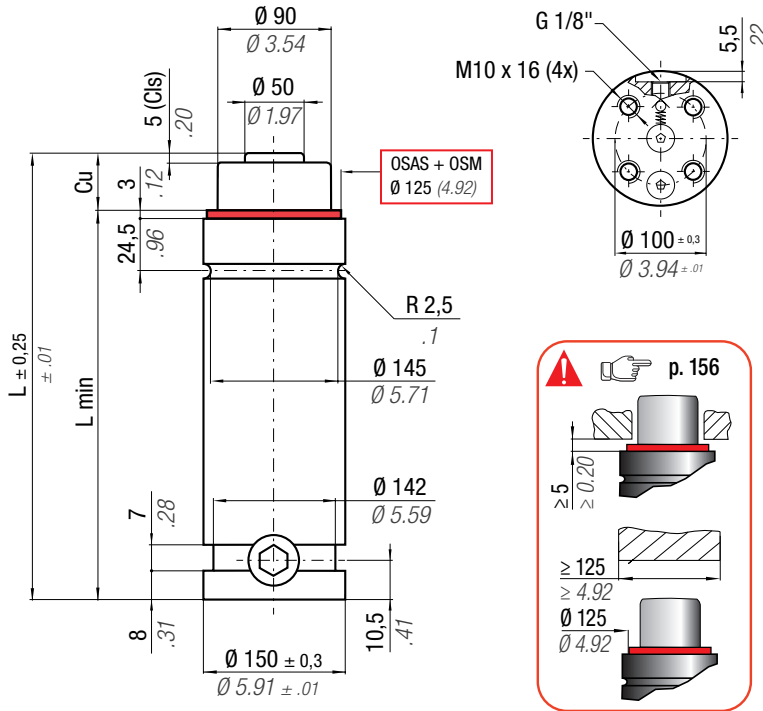


HOW TO ORDER

p. 157

INSTALLATION GUIDELINE

p. 205



Il nuovo codice sarà fornito solo ad esaurimento del vecchio

The new code will be supplied only when the old will be out of stock

Der neue Kode wird nur angegeben, wenn der alte nicht mehr lieferbar ist

Le nouveau code sera fourni uniquement lorsque le vieux stock sera écoulé

El nuevo código será suministrado sólo cuando se agoten las existencias del antiguo

O novo código irá ser fornecido apenas quando o antigo esgotar stock

* $F_{1i} =$

Isothermal end force at 100% Cu



p. 16

** $F_{1p} =$

Polytrophic end force at 100% Cu



ACTIVE SAFETY



OSAS



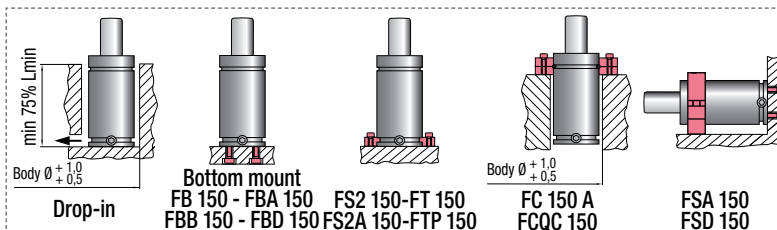
USAS



OPAS

		0 - 80 °C 32 - 176 °F	ΔP ± 0,33 %/°C	P max 150 bar 2175 psi	P min 20 bar 290 psi	S 63,61 cm ² 9.860 in ²	SPM ~ 15 - 60 (at 20°C)	Max Speed 1,8 m/s 70.8 in/s	Maintenance kit 39BMLS07500A		
CODE	NEW	Cu	L	L min	F0	F Cls	F _{1i} *	F _{1p} **	V0		
PHASING OUT from 04/2021		mm inch	mm inch	mm inch	Initial force daN lb	daN lb	End force * daN lb	End force ** daN lb	cm ³ in ³	~Kg ~lb	2014/68/EU
LS 9500 - 025 - B	LS 9500-025 - C	25 0.98	205 8.07	180 7.09			12436 27958	14197 31916	638 38.91	19,95 43.98	✓
LS 9500 - 038 - B	LS 9500-038 - C	38 1.50	231 9.09	193 7.60			13451 30239	15755 35419	838 51.13	21,15 46.63	✓
LS 9500 - 050 - B	LS 9500-050 - C	50 1.97	255 10.04	205 8.07	0 0	9540 21446	14107 31713	16783 37729	1023 62.40	21,95 48.39	✓
LS 9500 - 063 - B	LS 9500-063 - C	63,5 2.50	282 11.10	218,5 8.60	± 5%	± 5%	14650 32935	17647 39671	1230 75.08	22,75 50.16	✓
LS 9500 - 080 - B	LS 9500-080 - C	80 3.15	315 12.40	235 9.25			15138 34032	18432 41436	1484 90.58	24,55 54.12	✓
LS 9500 - 100 - B	LS 9500-100 - C	100 3.94	355 13.98	255 10.04	150 bar 2175 psi	150 bar 2175 psi	15568 34998	19129 43005	1792 109.37	26,25 57.87	✓
LS 9500 - 125 - B	LS 9500-125 - C	125 4.92	405 15.94	280 11.02			15952 35862	19759 44420	2177 132.85	28,15 62.06	✓
LS 9500 - 160 - B	LS 9500-160 - C	160 6.30	475 18.70	315 12.40	+ 20 °C +68 °F	+ 20 °C +68 °F	16323 36695	20371 45796	2716 165.73	31,55 69.56	✓
LS 9500 - 200 - B	LS 9500-200 - C	200 7.87	555 21.85	355 13.98			16610 37341	20848 46869	3332 203.31	35,15 77.49	✓
LS 9500 - 250 - B	LS 9500-250 - C	250 9.84	655 25.79	405 15.94			16855 37892	21258 47789	4101 250.28	38,65 85.21	✓
LS 9500 - 300 - B	LS 9500-300 - C	300 11.81	755 29.72	455 17.91			17027 38278	21545 48436	4871 297.26	42,55 93.81	✓

◆ Disposable



HOW TO ORDER

p. 157

INSTALLATION GUIDELINE

p. 205