



SW

ACTIVE SAFETY



OSAS



USAS



OPAS

Il nuovo codice sarà fornito solo ad esaurimento del vecchio

The new code will be supplied only when the old will be out of stock

Der neue Kode wird nur angegeben, wenn der alte nicht mehr lieferbar ist

Le nouveau code sera fourni uniquement lorsque le vieux stock sera écoulé

El nuevo código será suministrado sólo cuando se agoten las existencias del antiguo

O novo código irá ser fornecido apenas quando o antigo esgotar stock



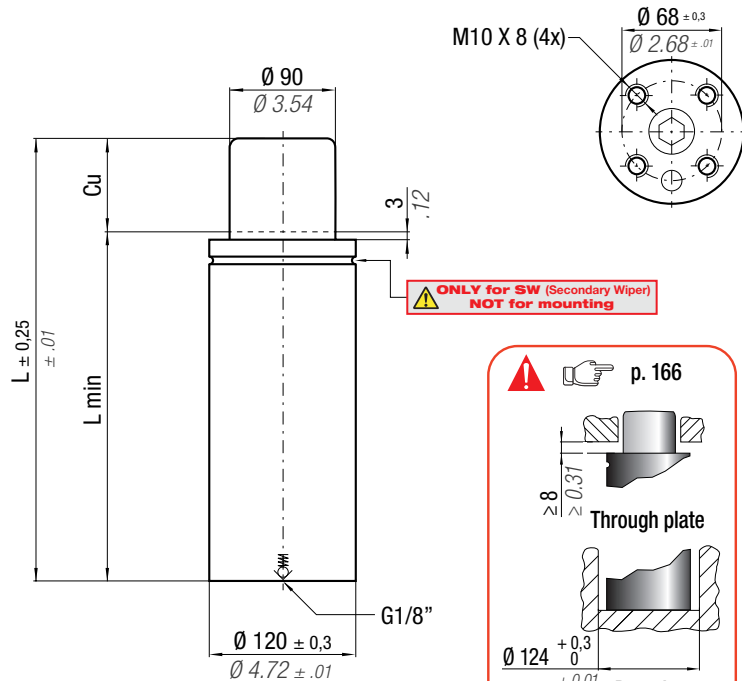
p. 247

* $F_{1i} =$

Isothermal end force at 100% Cu

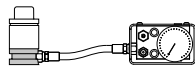
** $F_{1p} =$

Polytrophic end force at 100% Cu



N ₂	0 - 80 °C 32 - 176 °F	ΔP ± 0,33 %/°C	P max 200 bar 2900 psi	P min 20 bar 290 psi	S 63,62 cm ² 9.861 in ²	SPM ~ 20 - 50 (at 20°C)	Max Speed 1,6 m/s 62.9 in/s	Maintenance kit 39BMML12000C									
CODE PHASING OUT from 05/2019	NEW	Cu	L	L min	F₀ Initial force	F_{1i} * End force *	F_{1p} ** End force **	V₀	2014/68/EU								
ML 12000 - 015 - C: ML 12000 - 015 - D	15	0.59	115	4.53	100	3.94	12720	28595	17910	40264	20179	45364	415	25.35	5,82	12,83	✓
ML 12000 - 025 - C: ML 12000 - 025 - D	25	0.98	135	5.31	110	4.33	± 5%		20260	45546	23413	52635	532	32.47	6,29	13,87	✓
ML 12000 - 038 - C: ML 12000 - 038 - D	38	1.50	165	6.50	127	5.00	200 bar		21844	49107	25639	57638	715	43.64	7,01	15.45	✓
ML 12000 - 050 - C: ML 12000 - 050 - D	50	1.97	195	7.68	145	5.71	2900 psi		22489	50558	26555	59699	902	55.05	7,74	17.06	✓
ML 12000 - 063 - C: ML 12000 - 063 - D	63	2.48	225	8.86	162	6.38	+20 °C		23275	52324	27678	62222	1085	66.22	8,46	18.65	✓
ML 12000 - 080 - C: ML 12000 - 080 - D	80	3.15	265	10.43	185	7.28	+68 °F		23928	53791	28617	64333	1331	81.19	9,43	20.79	✓

KIT FOR LINKING



code: 39FML12000B



Seal (1x)



Washer (8x)



Screw (4x)



Bottom base (1x)



Valve (1x)

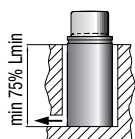
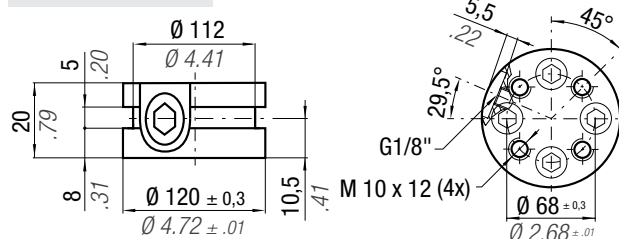


Instructions



Sostituire ogni 1.000.000 di cicli. Replace every 1 million cycles. Nach 1 Mio. Hübe austauschen. Reemplazar a cada 1 millón de ciclos. Substituir a cada 1 milhão de ciclos.

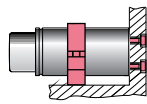
Bottom base dimension



Drop-In



Bottom mount



FSA 120 - FSD 120



HOW TO ORDER

p. 167

INSTALLATION GUIDELINE

p. 205