



SW

ACTIVE SAFETY



OSAS



USAS

Il nuovo codice sarà fornito solo ad esaurimento del vecchio

The new code will be supplied only when the old will be out of stock

Der neue Kode wird nur angegeben, wenn der alte nicht mehr lieferbar ist

Le nouveau code sera fourni uniquement lorsque le vieux stock sera écoulé

El nuevo código será suministrado sólo cuando se agoten las existencias del antiguo

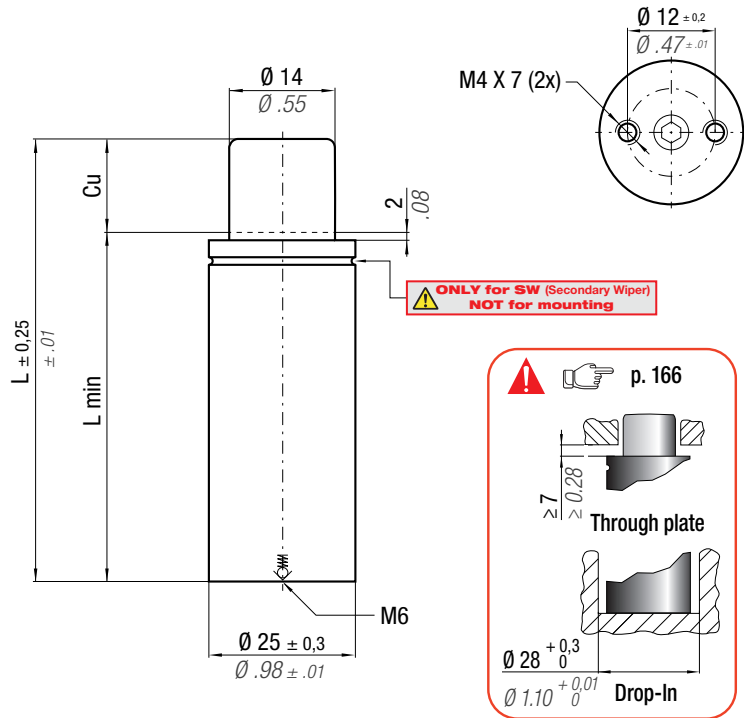
O novo código irá ser fornecido apenas quando o antigo esgotar stock

* $F_{1i} =$

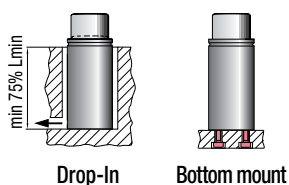
Isothermal end force p. 16

** $F_{1p} =$

Polytropic end force at 100% Cu



| N ₂ | 0 - 80 °C 32 - 176 °F | ΔP ± 0,33 %/°C | P max 200 bar 2900 psi | P min 20 bar 290 psi | S 1,54 cm ² 0.239 in ² | SPM ~ 40 - 80 (at 20°C) | Max Speed 1,6 m/s 62.9 in/s | Maintenance kit Disposable | |
|-----------------------------|--------------------------|---------------------------|------------------------------|----------------------------|--|-------------------------------|-----------------------------------|---------------------------------|-------------------|
| CODE | NEW | Cu | L | L min | F ₀ | F _{1i} * | F _{1p} ** | V ₀ | PED 2014/68/EU |
| PHASING OUT from 05/2019 | | mm inch | mm inch | mm inch | Initial force daN lb | End force * daN lb | End force ** daN lb | cm ³ in ³ | ~Kg ~lb |
| ML 300 - 010 - C | ML 300 - 010 - D | 10 0.39 | 75 2.95 | 65 2.56 | 310 697 ± 5% | 430 967 | 484 1087 | 6,8 0.41 | 0,17 0.37 |
| ML 300 - 015 - C | ML 300 - 015 - D | 15 0.59 | 85 3.35 | 70 2.76 | | 467 1050 | 534 1201 | 8,5 0.52 | 0,18 0.40 |
| ML 300 - 025 - C | ML 300 - 025 - D | 25 0.98 | 105 4.13 | 80 3.15 | 200 bar 2900 psi | 518 1164 | 605 1360 | 11,8 0.72 | 0,21 0.46 |
| ML 300 - 038 - C | ML 300 - 038 - D | 38 1.50 | 130 5.12 | 92 3.62 | | 566 1272 | 674 1514 | 15,7 0.96 | 0,24 0.53 |
| ML 300 - 050 - C | ML 300 - 050 - D | 50 1.97 | 155 6.10 | 105 4.13 | +20 °C +68 °F | 583 1311 | 698 1570 | 20,0 1.22 | 0,27 0.60 |
| ML 300 - 063 - C | ML 300 - 063 - D | 63 2.48 | 185 7.28 | 122 4.80 | | 580 1303 | 693 1558 | 25,3 1.54 | 0,31 0.68 |
| ML 300 - 080 - C | ML 300 - 080 - D | 80 3.15 | 220 8.66 | 140 5.51 | | 595 1337 | 715 1608 | 31,2 1.90 | 0,35 0.77 |



HOW TO ORDER

p. 167

INSTALLATION GUIDELINE

p. 205