



SW

ACTIVE SAFETY



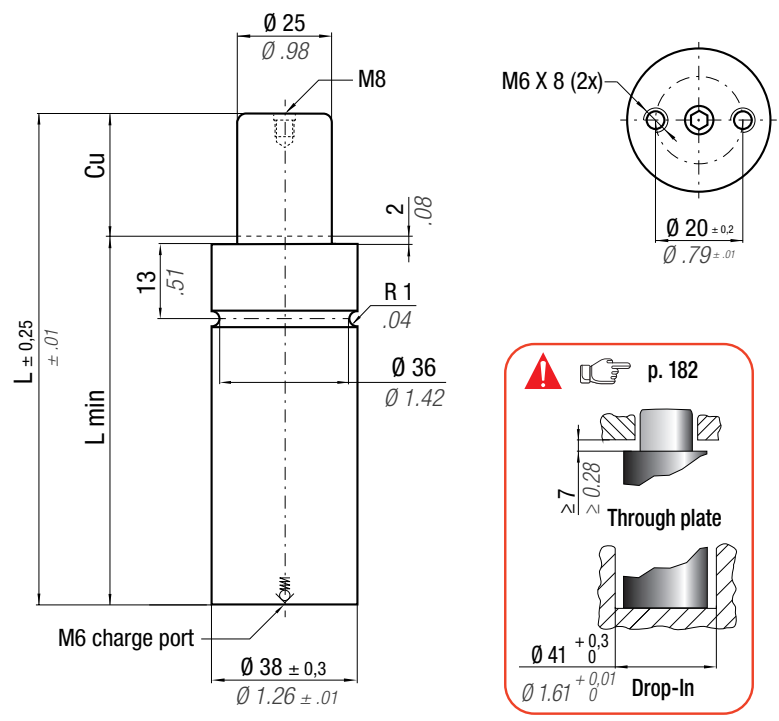
OSAS



USAS



OPAS



* F_{1i} =
Isothermal
end force
at 100% Cu

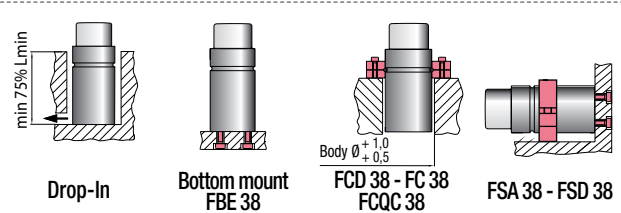


p. 16

** F_{1p} =
Polytrophic
end force
at 100% Cu



CODE	Cu	L	L min	F ₀		F _{1i} *		F _{1p} **		V ₀		Maintenance kit		
				Initial force	End force	End force	End force	cm ³	in ³	~Kg	~lb			
MP 1000 - 010 - A	10	75	65	1000 ± 5%	2248	1418	3188	1591	3577	21,5	1.31	0,37	0.82	✓
MP 1000 - 015 - A	15	85	70			1547	3478	1765	3968	26,5	1.62	0,39	0.86	✓
MP 1000 - 020 - A	20	95	75			1647	3703	1902	4276	31,6	1.93	0,41	0.90	✓
MP 1000 - 025 - A	25	105	80			1727	3882	2012	4523	36,6	2.23	0,44	0.97	✓
MP 1000 - 032 - A	32	120	88			1792	4029	2103	4728	44,4	2.71	0,48	1.06	✓
MP 1000 - 038 - A	38	135	97			1792	4029	2103	4728	52,7	3.21	0,51	1.12	✓
MP 1000 - 045 - A	45	150	105			1833	4121	2161	4858	60,6	3.70	0,55	1.21	✓
MP 1000 - 050 - A	50	160	110			1870	4204	2213	4975	65,6	4.00	0,58	1.28	✓
MP 1000 - 056 - A	56	175	119			1861	4184	2200	4946	73,9	4.51	0,62	1.37	✓
MP 1000 - 063 - A	63	205	142			1716	3858	1998	4492	93,1	5.68	0,70	1.54	✓
MP 1000 - 080 - A	80	240	160	1792	4029	2104	4730	111	6.77	0,79	1.74	✓		



HOW TO ORDER

Hand icon p. 183

INSTALLATION GUIDELINE

Hand icon p. 205