

FLANGE MOUNTS



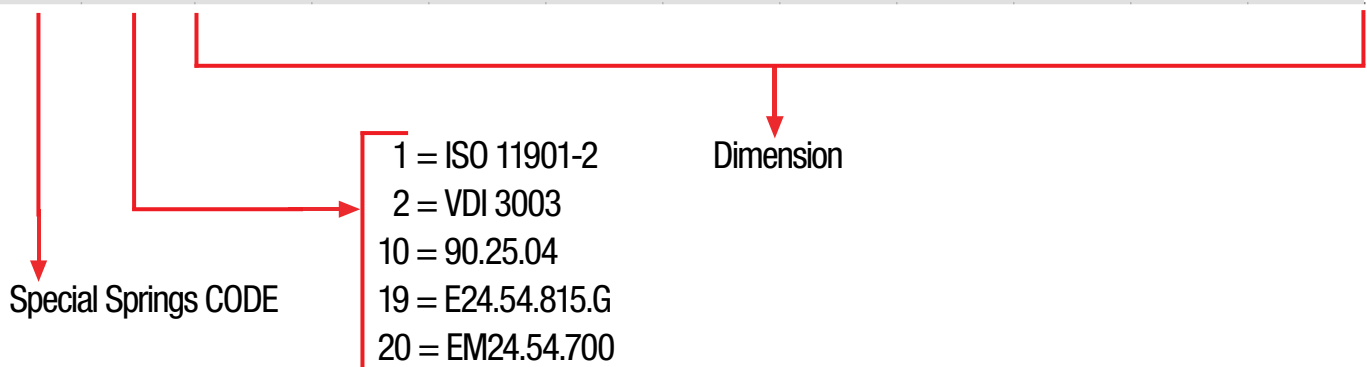
- IT** La seguente tabella indica i riferimenti Special Springs per ogni standards. Vedi esempio sotto riportato.
- EN** The following table shows the references for each Special Springs standards. See example below.
- DE** Die folgende Tabelle zeigt die Verweise für jede Special Springs Standards. Siehe Beispiel unten.
- FR** Le tableau suivant indique les références pour chacune des normes spéciales Springs. Voir l'exemple ci-dessous.
- ES** La siguiente tabla muestra las equivalencias de cada modelo Special Springs. Ver ejemplo en la parte inferior de esta hoja.
- PT** A tabela a seguir mostra as referências para cada normas especiais molas. Veja o exemplo abaixo.

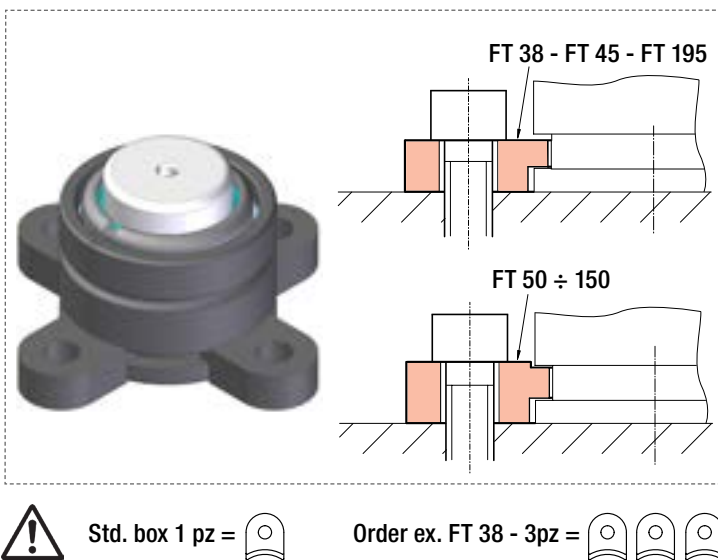
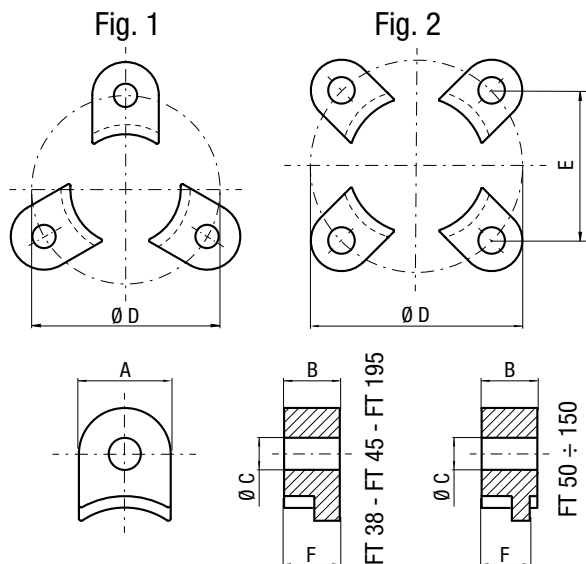
Reference to standards	Standards	
0	//	Special Springs
1	ISO 11901-2	
2	VDI 3003	
3	B2 4009	BMW
4	W-DX35-62M	Ford
5	W-DX35-80M	Ford
6	W-DX40-80M	Ford
7	90.25.01	General Motors
8	90.25.02	General Motors
9	90.25.03	General Motors
10	90.25.04	General Motors
11	90.25.06	General Motors
12	90.25.07	General Motors
13	90.25.455	General Motors
14	B8 0132 110 008 801	Mercedes Benz

Reference to standards	Standards	
15	B8 0138 100 000 001	Mercedes Benz
16	B8 0134 300 000 001	Mercedes Benz
17	B8 0134 400 008 801	Mercedes Benz
18	B8	Mercedes Benz
19	E24.54.815.G	Peugeot - Citroën
20	EM24.54.700	Renault
21	39D 848	Volkswagen
22	075.90.70	FCA
23	075.90.75	FCA
24	075.90.80	FCA
25	075.90.85	FCA
26	075.90.90	FCA
27	075.90.95	FCA
28	075.90.40	FCA
29	K32D2-2400-50	Nissan

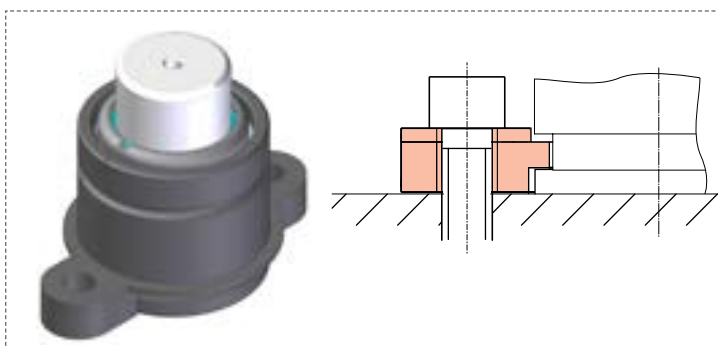
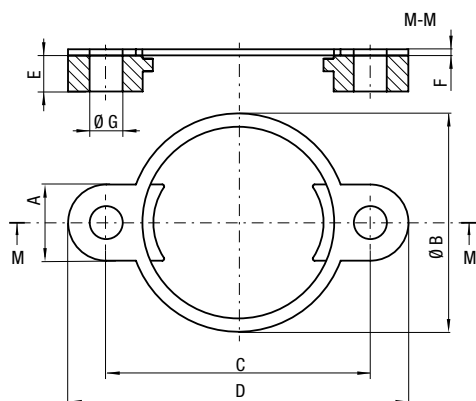
How to read the table

CODE	Reference to standards	A		B		Ø C		D		Ø E		Ø F		Ø G		Ø H		I		L	
		mm	inch	mm	inch	mm	inch	mm	inch	mm	inch	mm	inch	mm	inch	mm	inch	mm	inch	mm	inch
FB 45	1-2-10-19-20	70	2.76	50	1.97	20	0.79	20	0.79	15	0.59	15	0.59	9	0.35	9	0.35	14	0.55	12	0.47

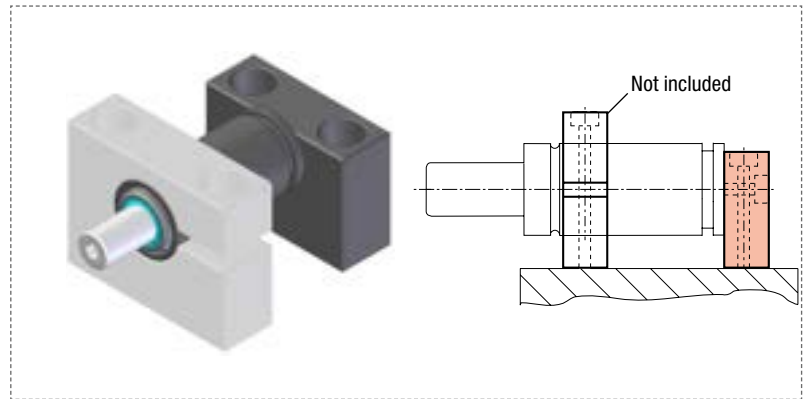
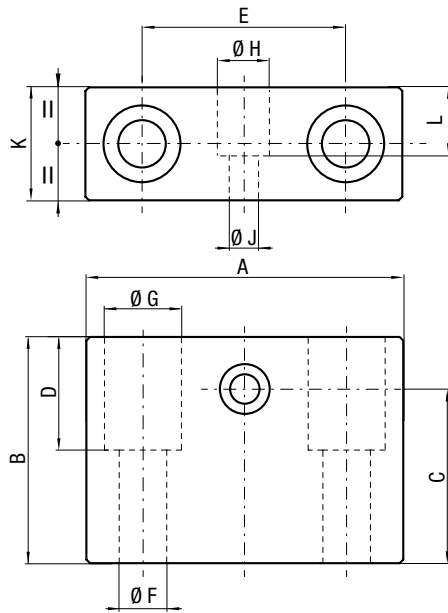




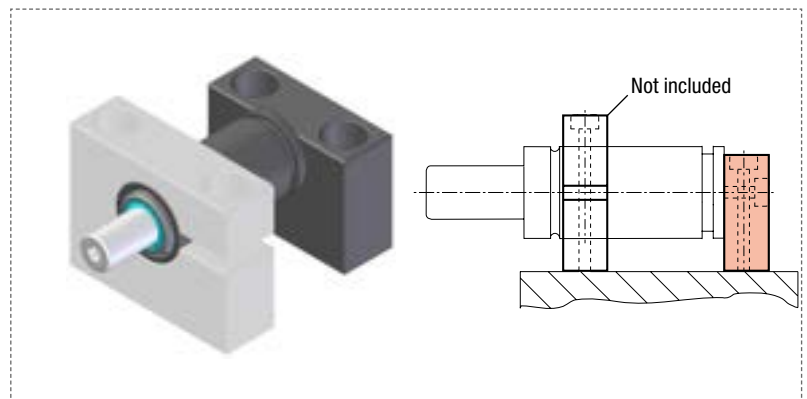
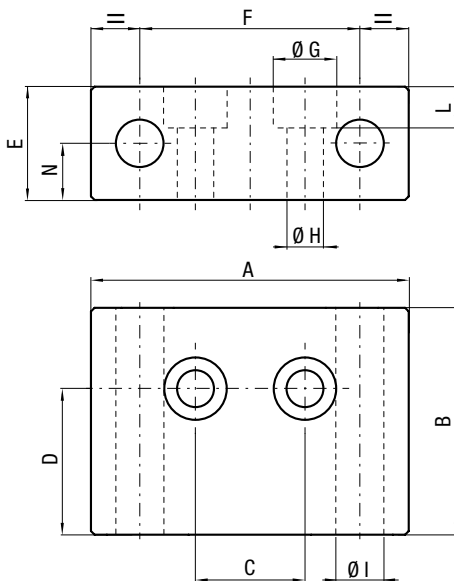
CODE	Reference to standards	A		B		C		Ø D		E		F		Rif. Fig
		mm	inch	mm	inch	mm	inch	mm	inch	mm	inch	mm	inch	
FT 38	0	20	0.79	7	0.28	7	0.28	56,6	2.23	-	-	7	0.28	Fig. 1
FT 45	0	25	0.98	7	0.28	9	0.35	70,7	2.78	-	-	7	0.28	
FT 50	0	30	1.18	14,2	0.56	13	0.51	80	3.15	-	-	13	0.51	
FT 63	0	30	1.18	14,2	0.56	13	0.51	92	3.62	65	2.56	13	0.51	Fig. 2
FT 75	0	30	1.18	14,2	0.56	13	0.51	104	4.09	73,5	2.89	13	0.51	
FT 95	0	40	1.57	14,2	0.56	17	0.67	130	5.12	92	3.62	13	0.51	
FT 120	0	50	1.97	14,2	0.56	17	0.67	155	6.1	109,5	4.31	13	0.51	
FT 150	0	50	1.97	14,2	0.56	21	0.83	195	7.68	138	5.43	13	0.51	
FT 195	0	58	2.28	16	0.63	21	0.83	240	9.45	169	6.65	16	0.63	



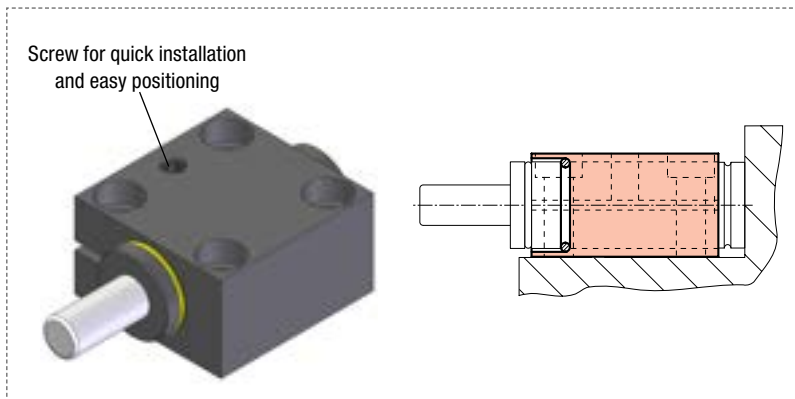
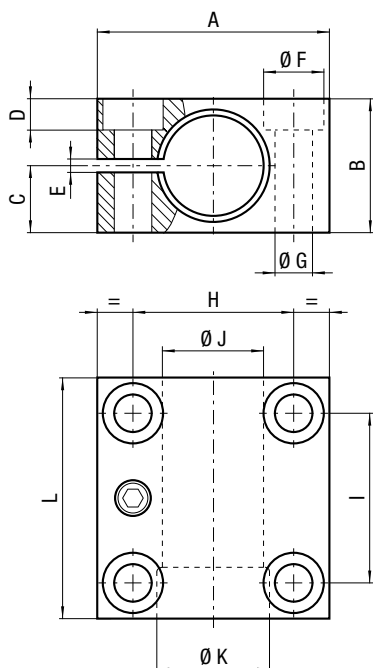
CODE	Reference to standards	A		Ø B		C		D		E		F		Ø G	
		mm	inch	mm	inch	mm	inch	mm	inch	mm	inch	mm	inch	mm	inch
FTP 38	0	20	0.79	48	1.89	56.6	2.23	76.6	3.02	7	0.28	2,5	0.10	7	0.28
FTP 45	0	25	0.98	56	2.20	70.7	2.78	95.7	3.77	7	0.28	2,5	0.10	9	0.35
FTP 50	0	30	1.18	61	2.40	80	3.15	110	4.33	14,2	0.56	2,5	0.10	13	0.51
FTP 63	0	30	1.18	73	2.87	92	3.62	122	4.80	14,2	0.56	2,5	0.10	13	0.51
FTP 75	0	30	1.18	86	3.39	104	4.09	134	5.28	14,2	0.56	2,5	0.10	13	0.51
FTP 95	0	40	1.57	106	4.17	130	5.12	170	6.69	14,2	0.56	2,5	0.10	17	0.67
FTP 120	0	50	1.97	131	5.16	155	6.10	205	8.07	14,2	0.56	2,5	0.10	17	0.67
FTP 150	0	50	1.97	170	6.69	195	7.68	245	9.65	14,2	0.56	2,5	0.10	21	0.83



CODE	Reference to standards	A		B		C		D		E		Ø F		Ø G		Ø H		Ø J		L		K	
		mm	inch	mm	inch	mm	inch	mm	inch	mm	inch	mm	inch	mm	inch	mm	inch	mm	inch	mm	inch	mm	inch
R32A	5	70	2.76	50	1.97	38,5	1.52	25	0.98	45	1.77	10,5	0.41	17	0.67	11	0.43	6,5	0.26	15	0.59	25	0.98



CODE	Reference to standards	A		B		C		D		E		F		Ø G		Ø H		L		Ø I		N	
		mm	inch	mm	inch	mm	inch	mm	inch	mm	inch	mm	inch	mm	inch	mm	inch	mm	inch	mm	inch	mm	inch
R38A	4	60	2.36	38	1.50	18	0.71	23,9	0.94	28	1.10	40	1.57	14	0.55	9	0.35	10	0.39	9	0.35	12	0.47
R50A	11	65	2.56	45	1.77	20	0.79	30	1.18	28	1.10	44	1.73	14	0.55	9	0.35	10	0.39	11	0.43	13	0.51
R75A	11	80	3.15	45	1.77	28,3	1.11	27,8	1.09	28	1.10	57	2.24	14	0.55	9	0.35	10	0.39	14	0.55	12	0.47
R95A	11	95	3.74	45	1.77	42,4	1.67	31,2	1.23	28	1.10	70	2.76	14	0.55	9	0.35	10	0.39	14	0.55	15	0.59



CODE	Reference to standards	A		B		C		D		E		Ø F		Ø G		H		I		J		K		L	
		mm	inch	mm	inch	mm	inch	mm	inch	mm	inch	mm	inch	mm	inch	mm	inch	mm	inch	mm	inch	mm	inch	mm	inch
FSG 25	0	52	2.05	30	1.18	15	0.59	7	0.28	3	0.12	13,5	0.53	8,4	0.33	36	1.42	38	1.5	25,2	1.03	27	1.06	54	2.13