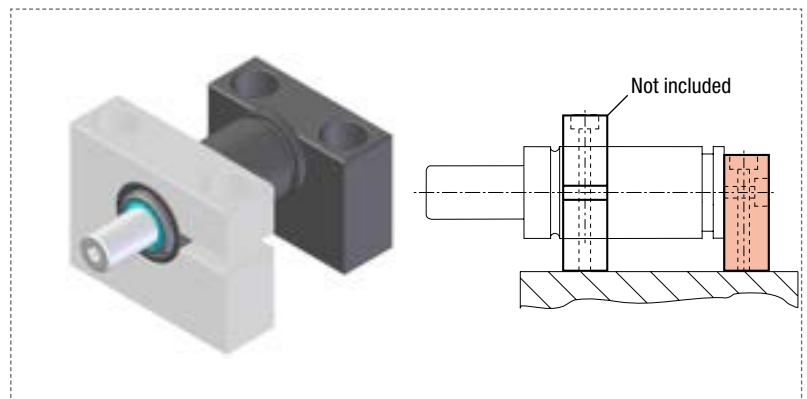
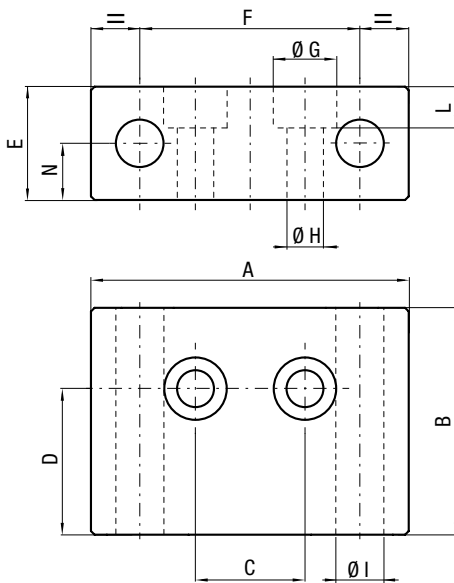


CODE	Reference to standards	A		B		C		D		E		ØF		ØG		ØH		ØJ		L		K	
		mm	inch	mm	inch	mm	inch	mm	inch	mm	inch	mm	inch	mm	inch	mm	inch	mm	inch	mm	inch	mm	inch
R32A	5	70	2.76	50	1.97	38,5	1.52	25	0.98	45	1.77	10,5	0.41	17	0.67	11	0.43	6,5	0.26	15	0.59	25	0.98



CODE	Reference to standards	A		B		C		D		E		F		ØG		ØH		L		ØI		N	
		mm	inch	mm	inch	mm	inch	mm	inch	mm	inch	mm	inch	mm	inch	mm	inch	mm	inch	mm	inch	mm	inch
R38A	4	60	2.36	38	1.50	18	0.71	23,9	0.94	28	1.10	40	1.57	14	0.55	9	0.35	10	0.39	9	0.35	12	0.47
R50A	11	65	2.56	45	1.77	20	0.79	30	1.18	28	1.10	44	1.73	14	0.55	9	0.35	10	0.39	11	0.43	13	0.51
R75A	11	80	3.15	45	1.77	28,3	1.11	27,8	1.09	28	1.10	57	2.24	14	0.55	9	0.35	10	0.39	14	0.55	12	0.47
R95A	11	95	3.74	45	1.77	42,4	1.67	31,2	1.23	28	1.10	70	2.76	14	0.55	9	0.35	10	0.39	14	0.55	15	0.59