



OSAS + OSM = OVER STROKE ACTIVE SAFETY + OVER STROKE MARKER

ACTIVE SAFETY



OSAS



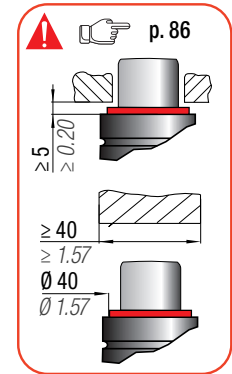
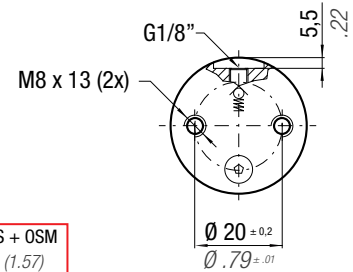
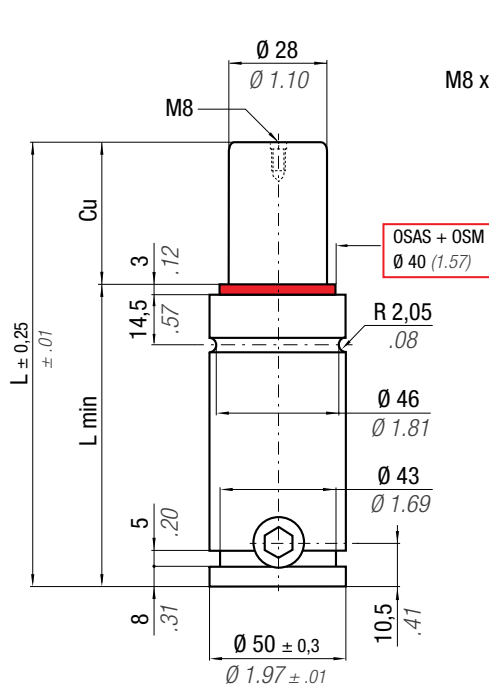
USAS



OPAS

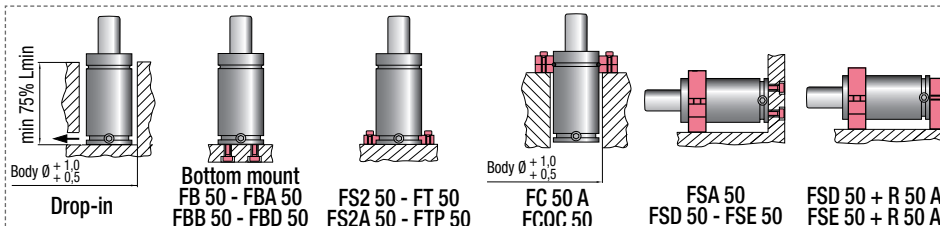
Il nuovo codice sarà fornito solo ad esaurimento del vecchio
 The new code will be supplied only when the old will be out of stock
 Der neue Kode wird nur angegeben, wenn der alte nicht mehr lieferbar ist
 Le nouveau code sera fourni uniquement lorsque le vieux stock sera épuisé
 El nuevo código será suministrado sólo cuando se agoten las existencias del antiguo
 O novo código irá ser fornecido apenas quando o antigo esgotar stock

* F_{1i} = Isothermal end force at 100% Cu p. 16 ** F_{1p} = Polyphoric end force at 100% Cu



N ₂		0 - 80 °C 32 - 176 °F	ΔP ± 0,33 %/°C	P max 170 bar 2465 psi	P min 20 bar 290 psi	S 6,15 cm ² 0,953 in ²	SPM ~ 20 - 100 (at 20°C)	Max Speed 1,8 m/s 70,8 in/s	Maintenance kit 39BMRV01000C	
CODE	NEW	Cu	L	L min	F ₀	F _{1i} *	F _{1p} **	V ₀		
PHASING OUT from 04/2021		mm inch	mm inch	mm inch	Initial force daN lb	End force * daN lb	End force ** daN lb	cm ³ in ³	~Kg ~lb	2014/68/EU
RF 1200 - 013 - A	♦ RF 1200 - 013 - B	13 0.51	74 2.91	61 2.40	1046 2352 ± 5% 170 bar 2465 psi + 20 °C +68 °F	1577 3546	1839 4135	28,4 1.73	0,65 1.43	✓
RF 1200 - 016 - A	RF 1200 - 016 - B	16 0.63	80 3.15	64 2.52		1622 3646	1906 4284	33,1 2.02	0,68 1.50	✓
RF 1200 - 019 - A	RF 1200 - 019 - B	19 0.75	86 3.39	67 2.64		1657 3725	1959 4403	37,7 2.30	0,70 1.54	✓
RF 1200 - 025 - A	RF 1200 - 025 - B	25 0.98	98 3.86	73 2.87		1709 3841	2037 4579	47,1 2.87	0,75 1.65	✓
RF 1200 - 032 - A	RF 1200 - 032 - B	32 1.26	112 4.41	80 3.15		1750 3934	2100 4721	58,0 3.54	0,81 1.79	✓
RF 1200 - 038 - A	RF 1200 - 038 - B	38 1.50	124 4.88	86 3.39		1776 3992	2139 4809	67,4 4.11	0,85 1.87	✓
RF 1200 - 050 - A	RF 1200 - 050 - B	50 1.97	148 5.83	98 3.86		1811 4072	2194 4932	86,1 5.25	0,95 2.09	✓
RF 1200 - 063 - A	RF 1200 - 063 - B	63 2.48	174 6.85	111 4.37		1836 4128	2233 5020	106,3 6.49	1,05 2.31	✓
RF 1200 - 075 - A	RF 1200 - 075 - B	75 2.95	198 7.80	123 4.84		1853 4165	2258 5077	125,0 7.63	1,15 2.54	✓
RF 1200 - 080 - A	RF 1200 - 080 - B	80 3.15	208 8.19	128 5.04		1858 4177	2267 5096	132,8 8.10	1,19 2.62	✓
RF 1200 - 100 - A	RF 1200 - 100 - B	100 3.94	248 9.76	148 5.83		1875 4215	2293 5156	164,0 10.01	1,35 2.98	✓
RF 1200 - 125 - A	RF 1200 - 125 - B	125 4.92	298 11.73	173 6.81		1889 4247	2315 5205	202,9 12.38	1,55 3.42	✓

♦ Disposable



HOW TO ORDER
 p. 87

INSTALLATION GUIDELINE
 p. 205