



OSAS + OSM = OVER STROKE ACTIVE SAFETY + OVER STROKE MARKER

ACTIVE SAFETY

Il nuovo codice sarà fornito solo ad esaurimento del vecchio

The new code will be supplied only when the old will be out of stock

Der neue Kode wird nur angegeben, wenn der alte nicht mehr lieferbar ist

Le nouveau code sera fourni uniquement lorsque le vieux stock sera écoulé

El nuevo código será suministrado sólo cuando se agoten las existencias del antiguo

O novo código irá ser fornecido apenas quando o antigo esgotar stock



OSAS



USAS

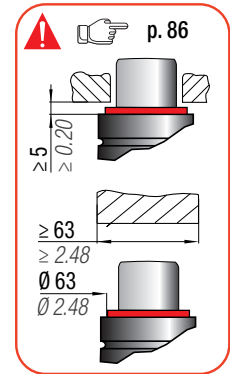
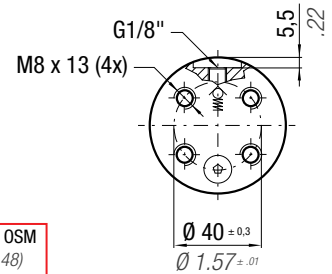
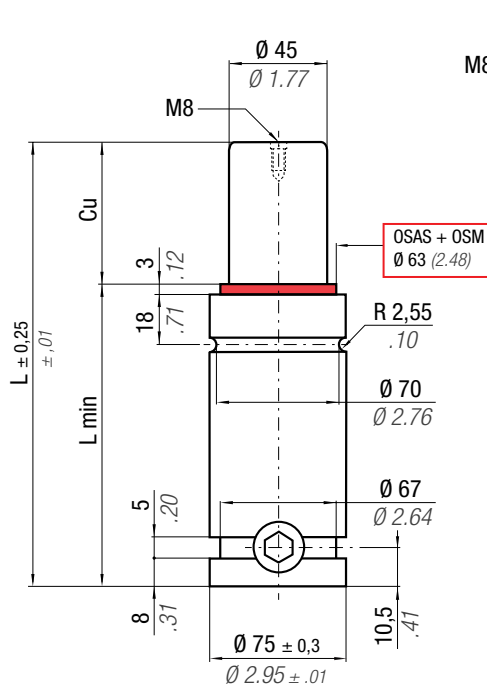


OPAS

easu MANIPOL p. 247

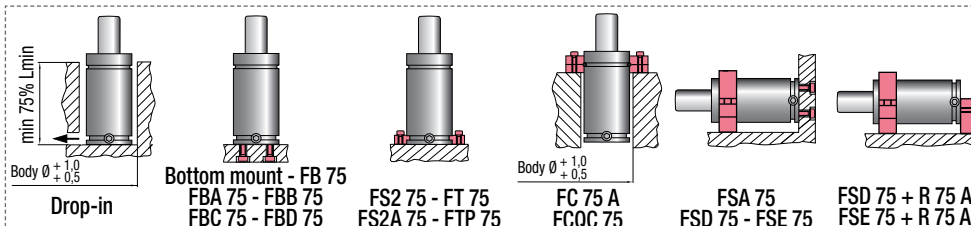
* F_{1i} = Isothermal end force at 100% Cu p. 16

** F_{1p} = Polytropic end force at 100% Cu



N ₂		0 - 80 °C 32 - 176 °F	ΔP ± 0,33 %/°C	P max 150 bar 2175 psi	P min 20 bar 290 psi	S 15,90 cm ² 2,465 in ²	SPM ~ 20 - 100 (at 20°C)	Max Speed 1,8 m/s 70,8 in/s	Maintenance kit 39BMRV02400D	
CODE	NEW	Cu	L	L min	F ₀	F _{1i} *	F _{1p} **	V ₀		
PHASING OUT from 04/2021		mm / inch	mm / inch	mm / inch	Initial force daN / lb	End force * daN / lb	End force ** daN / lb	cm ³ / in ³	~Kg / ~lb	2014/68/EU
RF 2400 - 016 - A	♦ RF 2400 - 016 - B	16 / 0.63	87 / 3.43	71 / 2.80	2385 / 5362 ± 5% 150 bar 2175 psi + 20 °C / +68 °F	3510 / 7891	4170 / 9374	92 / 5.61	1,68 / 3.70	✓
RF 2400 - 019 - A	♦ RF 2400 - 019 - B	19 / 0.75	93 / 3.66	74 / 2.91		3592 / 8075	4299 / 9665	104 / 6.35	1,73 / 3.81	✓
RF 2400 - 025 - A	RF 2400 - 025 - B	25 / 0.98	105 / 4.13	80 / 3.15		3716 / 8354	4498 / 10111	128 / 7.81	1,82 / 4.01	✓
RF 2400 - 032 - A	RF 2400 - 032 - B	32 / 1.26	119 / 4.69	87 / 3.43		3818 / 8583	4662 / 10481	156 / 9.52	1,93 / 4.25	✓
RF 2400 - 038 - A	RF 2400 - 038 - B	38 / 1.50	131 / 5.16	93 / 3.66		3883 / 8728	4767 / 10717	180 / 10.98	2,03 / 4.48	✓
RF 2400 - 050 - A	RF 2400 - 050 - B	50 / 1.97	155 / 6.10	105 / 4.13		3974 / 8935	4917 / 11054	228 / 13.91	2,21 / 4.87	✓
RF 2400 - 063 - A	RF 2400 - 063 - B	63 / 2.48	181 / 7.13	118 / 4.65		4041 / 9083	5026 / 11299	280 / 17.09	2,42 / 5.34	✓
RF 2400 - 075 - A	RF 2400 - 075 - B	75 / 2.95	205 / 8.07	130 / 5.12		4084 / 9181	5098 / 11461	328 / 20.02	2,61 / 5.75	✓
RF 2400 - 080 - A	RF 2400 - 080 - B	80 / 3.15	215 / 8.46	135 / 5.31		4099 / 9215	5123 / 11517	348 / 21.24	2,69 / 5.93	✓
RF 2400 - 100 - A	RF 2400 - 100 - B	100 / 3.94	255 / 10.04	155 / 6.10		4145 / 9318	5199 / 11688	428 / 26.12	3,00 / 6.61	✓
RF 2400 - 125 - A	RF 2400 - 125 - B	125 / 4.92	305 / 12.01	180 / 7.09	4183 / 9405	5264 / 11833	528 / 32.22	3,40 / 7.50	✓	

♦ Disposable



HOW TO ORDER

p. 87

INSTALLATION GUIDELINE

p. 205