


ACTIVE SAFETY

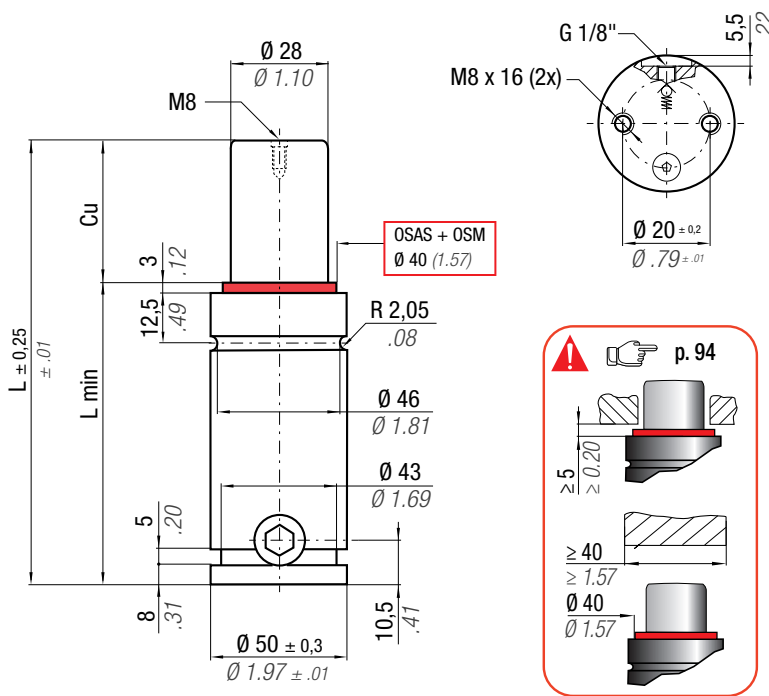

OSAS



USAS



OPAS


OSAS + OSM = OVER STROKE ACTIVE SAFETY + OVER STROKE MARKER

Il nuovo codice sarà fornito solo ad esaurimento del vecchio

The new code will be supplied only when the old will be out of stock

Der neue Kode wird nur angegeben, wenn der alte nicht mehr lieferbar ist

Le nouveau code sera fourni uniquement lorsque le vieux stock sera épuisé

El nuevo código será suministrado sólo cuando se agoten las existencias del antiguo

O novo código irá ser fornecido apenas quando o antigo esgotar stock

 * F_{1i} =

Isothermal end force at 100% Cu



p. 16

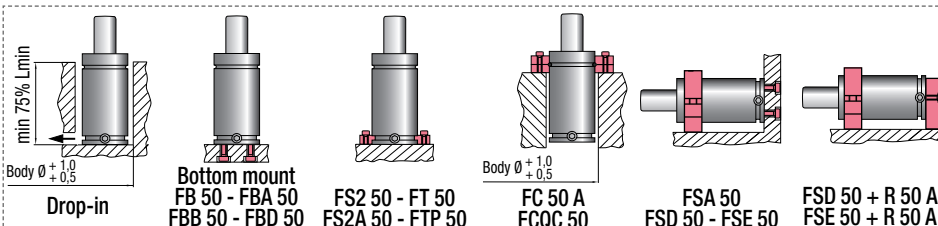
 ** F_{1p} =

Polyphoric end force at 100% Cu



N ₂		0 - 80 °C 32 - 176 °F	ΔP ± 0,33 %/°C	P max 150 bar 2175 psi	P min 20 bar 290 psi	S 6,15 cm ² 0.953 in ²	SPM ~ 20 - 100 (at 20°C)	Max Speed 1,8 m/s 70.8 in/s	Maintenance kit 39BMRV01000C	
CODE	NEW	Cu	L	L min	F ₀	F _{1i} *	F _{1p} **	V ₀		PED
PHASING OUT from 04/2021		mm inch	mm inch	mm inch	Initial force daN lb	End force * daN lb	End force ** daN lb	cm ³ in ³	~Kg ~lb	2014/68/EU
RG 1000 - 010 - A	◆ RG 1000 - 010 - B	10 0.39	72 2.83	62 2.44	920 2068 ± 5%	1281 2881	1493 3357	25,6 1.56	0,67 1.48	✓
RG 1000 - 013 - A	◆ RG 1000 - 013 - B	13 0.51	78 3.07	65 2.56		1331 2992	1570 3531	30,3 1.85	0,70 1.54	✓
RG 1000 - 016 - A	RG 1000 - 016 - B	16 0.63	84 3.31	68 2.68		1370 3079	1631 3667	35,0 2.14	0,72 1.59	✓
RG 1000 - 019 - A	RG 1000 - 019 - B	19 0.75	90 3.54	71 2.80		1401 3149	1680 3778	39,6 2.42	0,75 1.65	✓
RG 1000 - 025 - A	RG 1000 - 025 - B	25 0.98	102 4.02	77 3.03		1447 3253	1755 3945	49,0 2.99	0,79 1.74	✓
RG 1000 - 032 - A	RG 1000 - 032 - B	32 1.26	116 4.57	84 3.31		1485 3339	1816 4083	59,9 3.66	0,85 1.87	✓
RG 1000 - 038 - A	RG 1000 - 038 - B	38 1.50	128 5.04	90 3.54		1509 3392	1855 4170	69,2 4.22	0,90 1.98	✓
RG 1000 - 050 - A	RG 1000 - 050 - B	50 1.97	152 5.98	102 4.02		1543 3468	1910 4294	87,9 5.36	0,99 2.18	✓
RG 1000 - 063 - A	RG 1000 - 063 - B	63 2.48	178 7.01	115 4.53		1567 3522	1950 4384	108,2 6.60	1,10 2.43	✓
RG 1000 - 075 - A	RG 1000 - 075 - B	75 2.95	202 7.95	127 5.00		1583 3558	1976 4442	126,9 7.74	1,19 2.62	✓
RG 1000 - 080 - A	RG 1000 - 080 - B	80 3.15	212 8.35	132 5.20	1588 3570	1985 4462	134,7 8.22	1,23 2.71	✓	
RG 1000 - 100 - A	RG 1000 - 100 - B	100 3.94	252 9.92	152 5.98	1605 3607	2013 4524	165,8 10.12	1,39 3.06	✓	
RG 1000 - 125 - A	RG 1000 - 125 - B	125 4.92	302 11.89	177 6.97	1618 3638	2036 4577	204,8 12.50	1,60 3.53	✓	

◆ Disposable


HOW TO ORDER

p. 95

INSTALLATION GUIDELINE

p. 205