

OSAS + OSM = **OVER STROKE ACTIVE SAFETY** + **OVER STROKE MARKER**

ACTIVE SAFETY



OSAS



USAS



OPAS



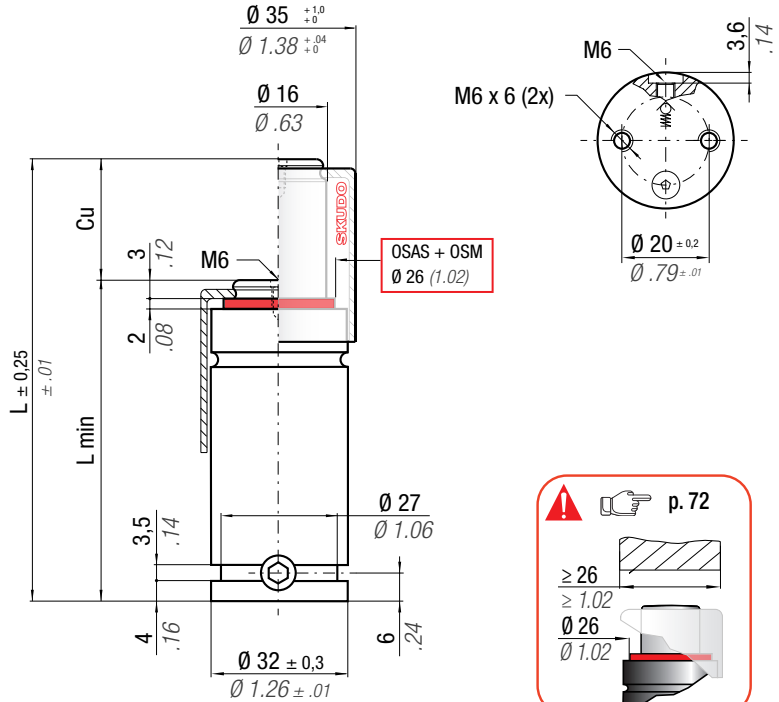
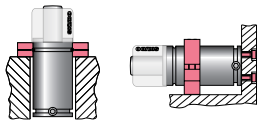
SKUDO

Il nuovo codice sarà fornito solo ad esaurimento del vecchio
 The new code will be supplied only when the old will be out of stock
 Der neue Kode wird nur angegeben, wenn der alte nicht mehr lieferbar ist
 Le nouveau code sera fourni uniquement lorsque le vieux stock sera écoulé
 El nuevo código será suministrado sólo cuando se agoten las existencias del antiguo
 O novo código irá ser fornecido apenas quando o antigo esgotar stock

easU MANIFOLD p. 247

* F_{1i} = Isothermal end force at 100% Cu p. 16

** F_{1p} = Polytrophic end force at 100% Cu



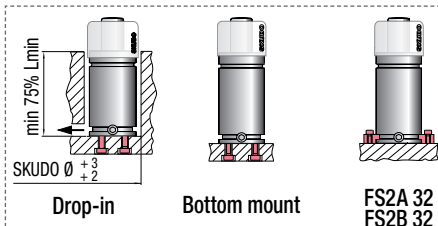
| | | | | | | | | |
|--|--------------------------|---------------------------|-------------------------------------|-----------------------------------|---|---------------------------------------|--|--|
| | 0 - 80 °C 32 - 176 °F | ΔP ± 0,33 %/°C | P max 180 bar 2610 psi | P min 20 bar 290 psi | S 2,01 cm ² 0,312 in ² | SPM ~ 20 - 100 (at 20°C) | Max Speed 1,8 m/s 70,8 in/s | Maintenance kit 39BMRV00350C |
|--|--------------------------|---------------------------|-------------------------------------|-----------------------------------|---|---------------------------------------|--|--|

| CODE PHASING OUT from 04/2021 | NEW | Cu | | L | | L min | | F ₀ | | F _{1i} * | | F _{1p} ** | | V ₀ | | PED 2014/68/EU | | |
|-------------------------------------|--------------------|-----|------|-----|-------|-------|------|--|-----|-------------------|------|--------------------|------|-----------------|-----------------|-------------------|------|-----|
| | | mm | inch | mm | inch | mm | inch | daN | lb | daN | lb | daN | lb | cm ³ | in ³ | | ~Kg | ~lb |
| RS 350 - 007 - A | ◆ RS 350 - 007 - B | 7 | 0.28 | 50 | 1.97 | 43 | 1.69 | 360 ± 5% 180 bar 2610 psi + 20 °C +68 °F | 809 | 484 | 1088 | 541 | 1216 | 6,9 | 0.42 | 0,16 | 0.36 | ✓ |
| RS 350 - 010 - A | ◆ RS 350 - 010 - B | 10 | 0.39 | 56 | 2.20 | 46 | 1.81 | | | 506 | 1137 | 572 | 1285 | 8,6 | 0.52 | 0,17 | 0.38 | ✓ |
| RS 350 - 013 - A | RS 350 - 013 - B | 13 | 0.51 | 62 | 2.44 | 49 | 1.93 | | | 521 | 1172 | 594 | 1334 | 10,4 | 0.63 | 0,18 | 0.40 | ✓ |
| RS 350 - 016 - A | RS 350 - 016 - B | 16 | 0.63 | 68 | 2.68 | 52 | 2.05 | | | 533 | 1198 | 610 | 1371 | 12,2 | 0.74 | 0,19 | 0.42 | ✓ |
| RS 350 - 022 - A | RS 350 - 022 - B | 22 | 0.87 | 80 | 3.15 | 58 | 2.28 | | | 549 | 1233 | 633 | 1423 | 15,8 | 0.96 | 0,21 | 0.46 | ✓ |
| RS 350 - 029 - A | RS 350 - 029 - B | 29 | 1.14 | 94 | 3.70 | 65 | 2.56 | | | 560 | 1260 | 650 | 1461 | 19,9 | 1.21 | 0,23 | 0.51 | ✓ |
| RS 350 - 035 - A | RS 350 - 035 - B | 35 | 1.38 | 106 | 4.17 | 71 | 2.80 | | | 567 | 1276 | 660 | 1484 | 23,5 | 1.43 | 0,25 | 0.55 | ✓ |
| RS 350 - 047 - A | RS 350 - 047 - B | 47 | 1.85 | 130 | 5.12 | 83 | 3.27 | | | 577 | 1297 | 674 | 1515 | 30,6 | 1.87 | 0,29 | 0.63 | ✓ |
| RS 350 - 060 - A | RS 350 - 060 - B | 60 | 2.36 | 156 | 6.14 | 96 | 3.78 | | | 583 | 1311 | 683 | 1536 | 38,3 | 2.34 | 0,33 | 0.72 | ✓ |
| RS 350 - 072 - A | RS 350 - 072 - B | 72 | 2.83 | 180 | 7.09 | 108 | 4.25 | | | 587 | 1320 | 689 | 1550 | 45,4 | 2.77 | 0,36 | 0.80 | ✓ |
| RS 350 - 077 - A | RS 350 - 077 - B | 77 | 3.03 | 190 | 7.48 | 113 | 4.45 | | | 589 | 1323 | 691 | 1554 | 48,4 | 2.95 | 0,38 | 0.83 | ✓ |
| RS 350 - 097 - A | RS 350 - 097 - B | 97 | 3.82 | 230 | 9.06 | 133 | 5.24 | | | 593 | 1332 | 697 | 1567 | 60,3 | 3.68 | 0,44 | 0.96 | ✓ |
| RS 350 - 122 - A | RS 350 - 122 - B | 122 | 4.80 | 280 | 11.02 | 158 | 6.22 | | | 602 | 1354 | 712 | 1600 | 73,9 | 4.51 | 0,51 | 1.13 | ✓ |

◆ Disposable

WARNING REMOVE SKUDO

Upside down mounting



HOW TO ORDER p. 73

INSTALLATION GUIDELINE p. 205