

OSAS + OSM = **OVER STROKE ACTIVE SAFETY** + **OVER STROKE MARKER**

ACTIVE SAFETY



OSAS



USAS



OPAS



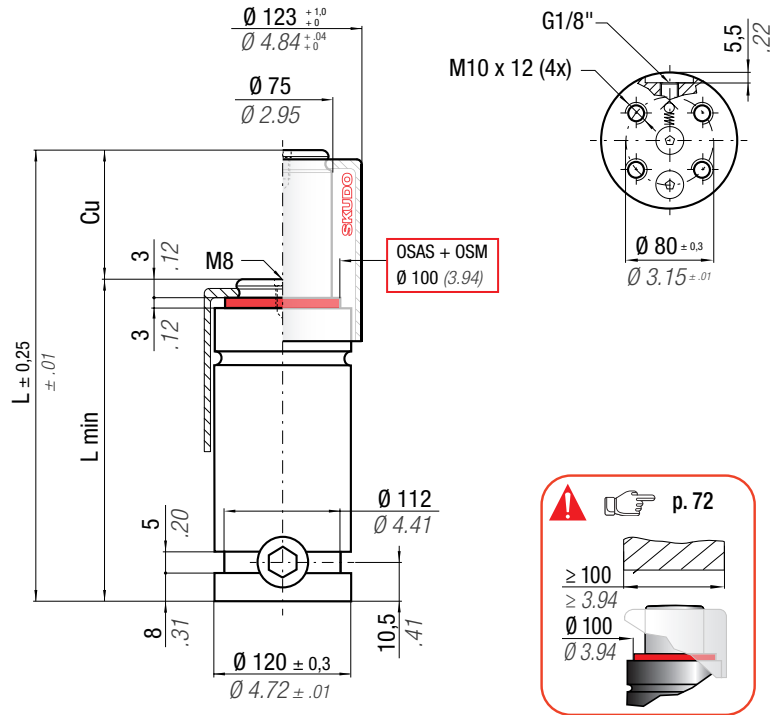
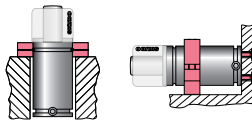
SKUDO

Il nuovo codice sarà fornito solo ad esaurimento del vecchio
 The new code will be supplied only when the old will be out of stock
 Der neue Kode wird nur angegeben, wenn der alte nicht mehr lieferbar ist
 Le nouveau code sera fourni uniquement lorsque le vieux stock sera écolé
 El nuevo código será suministrado sólo cuando se agoten las existencias del antiguo
 O novo código irá ser fornecido apenas quando o antigo esgotar stock

easU MANIFOLD p. 247

* F_{1i} = Isothermal end force at 100% Cu p. 16

** F_{1p} = Polytrophic end force at 100% Cu



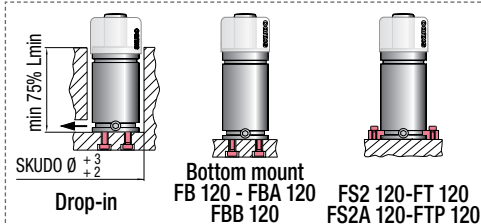
	0 - 80 °C 32 - 176 °F	ΔP ± 0,33 %/°C	P max 150 bar 2175 psi	P min 20 bar 290 psi	S 44,18 cm ² 6.848 in ²	SPM ~ 20 - 100 (at 20°C)	Max Speed 1,8 m/s 70.8 in/s	Maintenance kit 39BMRV06600C
--	--------------------------	---------------------------	------------------------------	----------------------------	---	--------------------------------	-----------------------------------	---------------------------------

CODE PHASING OUT from 04/2021	NEW	Cu		L		L min		F ₀ Initial force		F _{1i} * End force *		F _{1p} ** End force **		V ₀		PED 2014/68/EU		
		mm	inch	mm	inch	mm	inch	daN	lb	daN	lb	daN	lb	cm ³	in ³		~Kg	~lb
RS 6600 - 013 - A	◆ RS 6600 - 013 - B	13	0.51	100	3.94	87	3.43	6630 ± 5% 14904 150 bar 2175 psi + 20 °C +68 °F		8547	19215	9724	21861	298	18.19	5,06	11.16	✓
RS 6600 - 016 - A	◆ RS 6600 - 016 - B	16	0.63	106	4.17	90	3.54			8826	19843	10148	22814	330	20.14	5,17	11.40	✓
RS 6600 - 022 - A	RS 6600 - 022 - B	22	0.87	118	4.65	96	3.78			9282	20867	10850	24391	394	24.04	5,42	11.95	✓
RS 6600 - 029 - A	RS 6600 - 029 - B	29	1.14	132	5.20	103	4.06			9690	21784	11488	25825	469	28.62	5,69	12.54	✓
RS 6600 - 035 - A	RS 6600 - 035 - B	35	1.38	144	5.67	109	4.29			9967	22406	11925	26808	533	32.53	5,93	13.07	✓
RS 6600 - 047 - A	RS 6600 - 047 - B	47	1.85	168	6.61	121	4.76			10385	23346	12593	28311	660	40.28	6,40	14.11	✓
RS 6600 - 060 - A	RS 6600 - 060 - B	60	2.36	194	7.64	134	5.28			10707	24071	13115	29485	799	48.76	6,90	15.21	✓
RS 6600 - 072 - A	RS 6600 - 072 - B	72	2.83	218	8.58	146	5.75			10930	24571	13479	30301	927	56.57	7,40	16.31	✓
RS 6600 - 077 - A	RS 6600 - 077 - B	77	3.03	228	8.98	151	5.94			11007	24746	13606	30587	980	59.80	7,60	16.76	✓
RS 6600 - 097 - A	RS 6600 - 097 - B	97	3.82	268	10.55	171	6.73			11255	25302	14013	31503	1193	72.80	8,40	18.52	✓
RS 6600 - 122 - A	RS 6600 - 122 - B	122	4.80	318	12.52	196	7.72	11471	25787	14371	32307	1459	89.03	9,40	20.72	✓		

◆ Disposable

WARNING REMOVE SKUDO

Upside down mounting



HOW TO ORDER

p. 73

INSTALLATION GUIDELINE

p. 205