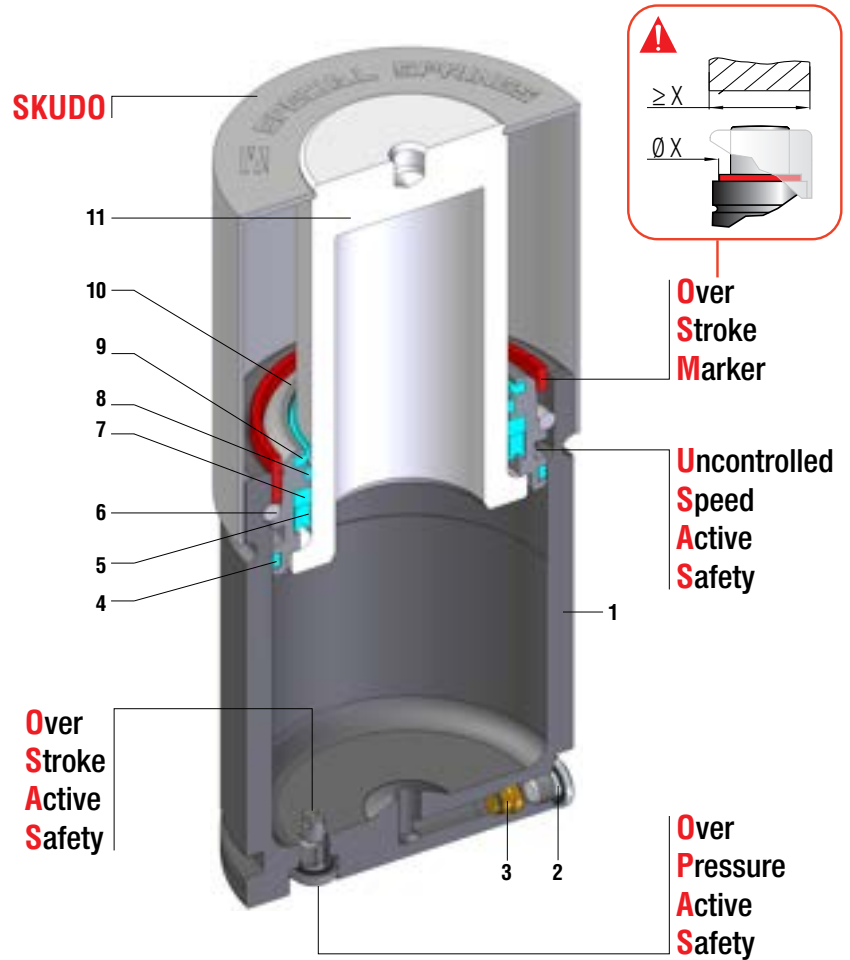


RS 170 - RS 320



RS 350 ÷ RS 9500

Minima altezza, massima forza + SKUDO - Minimum height, maximum force + SKUDO - Minimale Höhe, maximale Kraft + SKUDO
 Hauteur minimale, force maximale + SKUDO - Mínima altura, máxima fuerza + SKUDO - Altura mínima, força máxima + SKUDO

SEALING	ROD SEAL
DESIGN	BUSH - BODY DESIGN

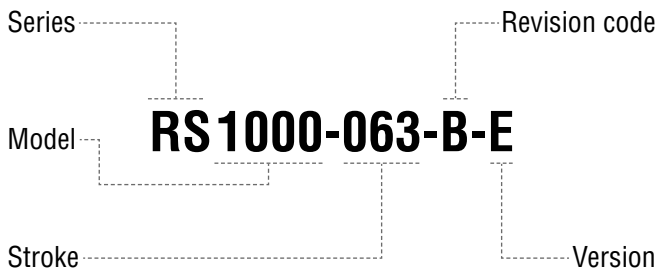
1	Body	5	Rod seal	9	Rod wiper
2	Plug	6	Retaining ring	10	Bush
3	Valve	7	Back-up ring	11	Rod (nitrited superfinished)
4	Dual ring seal	8	Guide ring		

RANGE CHART

Model	Body Ø		Stroke Cu		Initial force F0					
	mm	inch	mm	inch	daN	lb				
■ RS 170	19	0.75	7 - 122	0.28 - 4.80	170	382	✓	✓	✓	✓
■ RS 320	25	0.98	7 - 122	0.28 - 4.80	320	719	✓	✓	✓	✓
■ RS 350	32	1.26	7 - 122	0.28 - 4.80	360	809	✓	✓	✓	✓
■ RS 500	38	1.50	7 - 122	0.28 - 4.80	470	1057	✓	✓	✓	✓
■ RS 750	45	1.77	7 - 122	0.28 - 4.80	740	1664	✓	✓	✓	✓
■ RS 1000	50	1.97	10 - 122	0.39 - 4.80	920	2068	✓	✓	✓	✓
■ RS 1200	50	1.97	10 - 122	0.39 - 4.80	1060	2383	✓	✓	✓	✓
■ RS 1500	63	2.48	10 - 122	0.39 - 4.80	1530	3440	✓	✓	✓	✓
■ RS 2400	75	2.95	13 - 122	0.51 - 4.80	2385	5362	✓	✓	✓	✓
■ RS 4200	95	3.74	13 - 122	0.51 - 4.80	4240	9532	✓	✓	✓	✓
■ RS 6600	120	4.72	13 - 122	0.51 - 4.80	6630	14905	✓	✓	✓	✓
■ RS 9500	150	5.91	16 - 122	0.63 - 4.80	9540	21447	✓	✓	✓	✓



HOW TO ORDER



Available versions



RS 1000-063-B

Standard code



Self contained



RS2400-063-B-N

Add "-N" to standard code



Linkable



RS2400-063-B-E

Add "-E" to standard code



Easy Manifold

Il nuovo codice sarà fornito solo ad esaurimento del vecchio - The new code will be supplied only when the old will be out of stock - Der neue Kode wird nur angegeben, wenn der alte nicht mehr lieferbar ist - Le nouveau code sera fourni uniquement lorsque le vieux stock sera écoulé - El nuevo código será suministrado sólo cuando se agoten las existencias del antiguo - O novo código irá ser fornecido apenas quando o antigo esgotar stock

ACTIVE SAFETY



OSAS



USAS



OPAS



SKUDO



p. 247

* $F_{1i} =$

Isothermal end force at 100% Cu

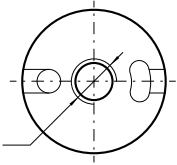
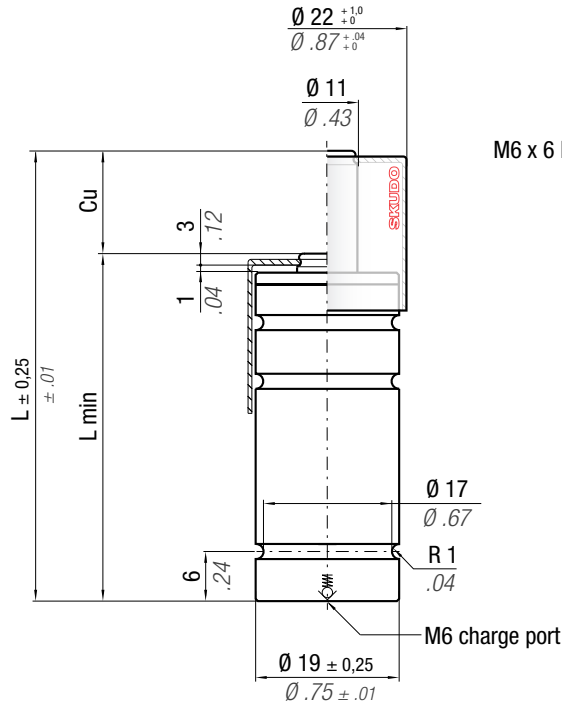
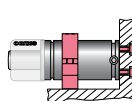
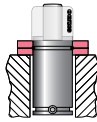


p. 16



** $F_{1p} =$

Polytropic end force at 100% Cu



M6 x 6 Max

Ø 17

Ø .67

R 1

.04

M6 charge port

Ø 19 ± 0.25

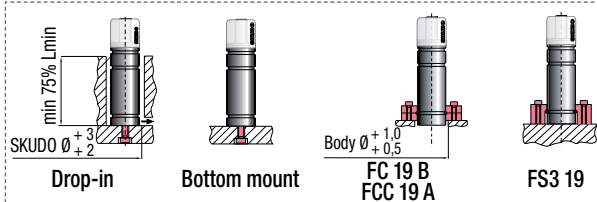
Ø .75 ± .01

	0 - 80 °C 32 - 176 °F	ΔP ± 0,33 %/°C	P max 180 bar 2610 psi	P min 20 bar 290 psi	S 0,95 cm ² 0,147 in ²	SPM ~ 40 - 100 (at 20°C)	Max Speed 1,8 m/s 70,8 in/s	Maintenance kit Disposable
--	--------------------------	---------------------------	------------------------------	----------------------------	--	--------------------------------	-----------------------------------	-------------------------------

CODE PHASING OUT from 05/2019	NEW	Cu		L		L min		F ₀		F _{1i} *		F _{1p} **		V ₀		~Kg	~lb	PED 2014/68/EU																																																							
		mm	inch	mm	inch	mm	inch	daN	lb	daN	lb	daN	lb	cm ³	in ³																																																										
RS 170 - 007 - B	RS 170 - 007 - C	7	0.28	50	1.97	43	1.69	171 384 ± 5% 180 bar 2610 psi + 20 °C +68 °F	239 537	270 607	2,9 0.17	0,06 0.13	✓																																																												
RS 170 - 010 - B	RS 170 - 010 - C	10	0.39	56	2.20	46	1.81							253 568	290 652	3,6 0.22	0,07 0.14	✓																																																							
RS 170 - 012 - B	RS 170 - 012 - C	12	0.47	60	2.36	48	1.89												260 584	300 674	4,0 0.25	0,07 0.15	✓																																																		
RS 170 - 016 - B	RS 170 - 016 - C	16	0.63	68	2.68	52	2.05																	270 607	315 709	5,0 0.30	0,07 0.16	✓																																													
RS 170 - 022 - B	RS 170 - 022 - C	22	0.87	80	3.15	58	2.28																						281 632	331 744	6,4 0.39	0,08 0.17	✓																																								
RS 170 - 029 - B	RS 170 - 029 - C	29	1.14	94	3.70	65	2.56																											289 650	343 771	8,1 0.49	0,09 0.19	✓																																			
RS 170 - 035 - B	RS 170 - 035 - C	35	1.38	106	4.17	71	2.80																																294 662	350 788	9,5 0.58	0,09 0.21	✓																														
RS 170 - 047 - B	RS 170 - 047 - C	47	1.85	130	5.12	83	3.27																																					301 677	360 810	12,4 0.76	0,11 0.24	✓																									
RS 170 - 060 - B	RS 170 - 060 - C	60	2.36	156	6.14	96	3.78																																										306 687	367 826	15,5 0.94	0,12 0.27	✓																				
RS 170 - 072 - B	RS 170 - 072 - C	72	2.83	185	7.28	113	4.45																																															306 688	368 827	18,5 1.13	0,14 0.31	✓															
RS 170 - 077 - B	RS 170 - 077 - C	77	3.03	195	7.68	118	4.65																																																				307 690	370 831	19,7 1.20	0,15 0.32	✓										
RS 170 - 097 - B	RS 170 - 097 - C	97	3.82	235	9.25	138	5.43																																																									311 698	375 843	24,5 1.49	0,17 0.37	✓					
RS 170 - 122 - B	RS 170 - 122 - C	122	4.80	285	11.22	163	6.42																																																														313 704	379 852	30,4 1.86	0,19 0.43	✓

WARNING REMOVE SKUDO

Upside down mounting

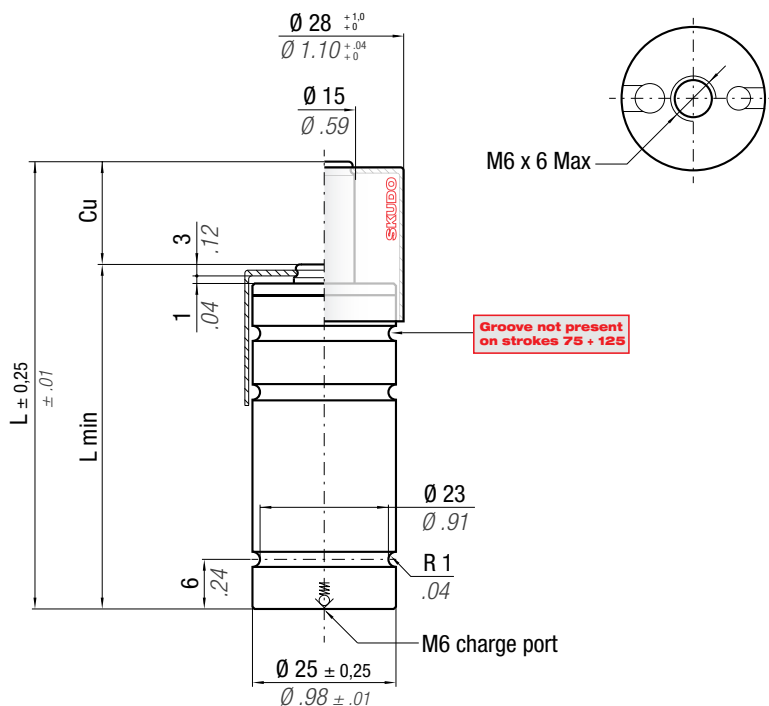


HOW TO ORDER

p. 73

INSTALLATION GUIDELINE

p. 205



Il nuovo codice sarà fornito solo ad esaurimento del vecchio

The new code will be supplied only when the old will be out of stock

Der neue Kode wird nur angegeben, wenn der alte nicht mehr lieferbar ist

Le nouveau code sera fourni uniquement lorsque le vieux stock sera écoulé

El nuevo código será suministrado sólo cuando se agoten las existencias del antiguo

O novo código irá ser fornecido apenas quando o antigo esgotar stock

* $F_{1i} =$

Isothermal end force at 100% Cu

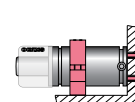
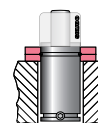


p. 16



** $F_{1p} =$

Polytrophic end force at 100% Cu



ACTIVE SAFETY



OSAS



USAS



OPAS



SKUDO

		0 - 80 °C 32 - 176 °F	ΔP ± 0,33 %/°C	P max 180 bar 2610 psi	P min 20 bar 290 psi	S 1,77 cm ² 0.27 in ²	SPM ~ 40 - 100 (at 20°C)	Max Speed 1,8 m/s 70.8 in/s	Maintenance kit Disposable																																																																																
CODE		Cu	L	L min	F₀		F_{1i} *		F_{1p} **		V₀																																																																														
PHASING OUT from 01/2020	NEW	mm	inch	mm	inch	daN	lb	daN	lb	daN	lb	cm ³	in ³	~Kg	~lb	2014/68/EU																																																																									
RS 320 - 007 - B	RS 320 - 007 - C	7	0.28	50	1.97	320	719	438	985	494	1110	5,5	0.34	0,10	0.23	✓																																																																									
RS 320 - 010 - B	RS 320 - 010 - C	10	0.39	56	2.20												± 5%	514	1155	603	1355	12,3	0.75	0,13	0.29	✓																																																															
RS 320 - 012 - B	RS 320 - 012 - C	12	0.47	60	2.36																						180 bar	529	1189	625	1404	15,5	0.94	0,14	0.31	✓																																																					
RS 320 - 016 - B	RS 320 - 016 - C	16	0.63	68	2.68																																2610psi	547	1229	7,8	0.47	0,11	0.25	✓																																													
RS 320 - 022 - B	RS 320 - 022 - C	22	0.87	80	3.15																																								550	1237	656	1475	23,6	1.44	0,17	0.38	✓																																				
RS 320 - 029 - B	RS 320 - 029 - C	29	1.14	94	3.70																																																	559	1256	669	1503	29,5	1.80	0,19	0.43	✓																											
RS 320 - 035 - B	RS 320 - 035 - C	35	1.38	106	4.17																																																										557	1252	667	1498	35,5	2.17	0,22	0.48	✓																		
RS 320 - 047 - B	RS 320 - 047 - C	47	1.85	130	5.12																																																																			559	1257	670	1506	37,7	2.30	0,23	0.50	✓									
RS 320 - 060 - B	RS 320 - 060 - C	60	2.36	156	6.14																																																																												566	1272	680	1528	46,8	2.85	0,26	0.57	✓
RS 320 - 072 - B	RS 320 - 072 - C	72	2.83	185	7.28																																																																																				
RS 320 - 077 - B	RS 320 - 077 - C	77	3.03	195	7.68	+ 20 °C +68 °F		559	1257	670	1506	37,7	2.30	0,23	0.50	✓																																																																									
RS 320 - 097 - B	RS 320 - 097 - C	97	3.82	235	9.25	566	1272	680	1528	46,8	2.85	0,26	0.57	✓																																																																											
RS 320 - 122 - B	RS 320 - 122 - C	122	4.80	285	11.22	571	1284	688	1546	58,1	3.54	0,30	0.66	✓																																																																											

**WARNING
REMOVE SKUDO**

Upside down mounting

FC / FCC fixings

Drop-in

Bottom mount

FC 25 B
FCC 25 A

FS3 25

HOW TO ORDER

p. 73

INSTALLATION GUIDELINE

p. 205

OSAS + OSM = **OVER STROKE ACTIVE SAFETY** + **OVER STROKE MARKER**

ACTIVE SAFETY



OSAS



USAS



OPAS



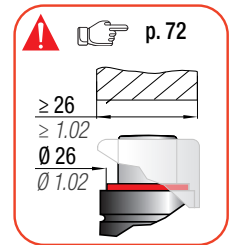
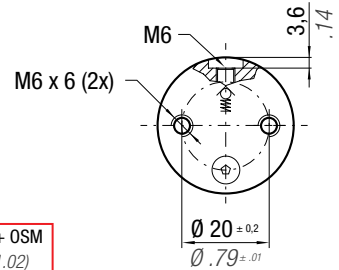
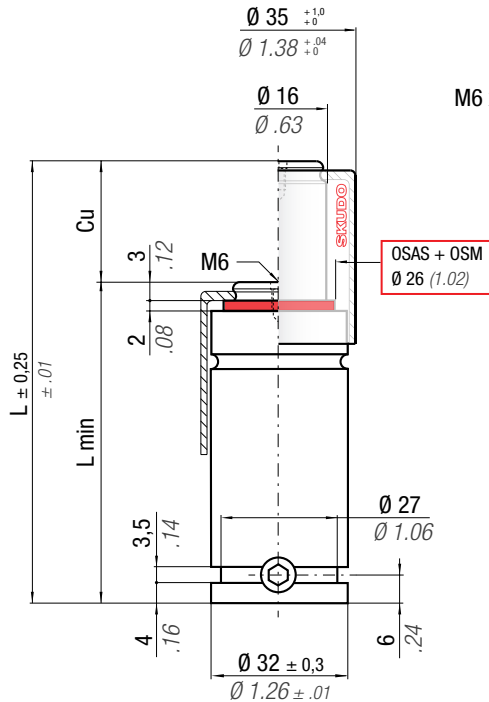
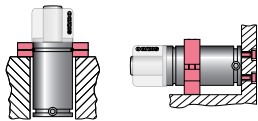
SKUDO

Il nuovo codice sarà fornito solo ad esaurimento del vecchio
 The new code will be supplied only when the old will be out of stock
 Der neue Kode wird nur angegeben, wenn der alte nicht mehr lieferbar ist
 Le nouveau code sera fourni uniquement lorsque le vieux stock sera écoulé
 El nuevo código será suministrado sólo cuando se agoten las existencias del antiguo
 O novo código irá ser fornecido apenas quando o antigo esgotar stock

easU MANIFOLD p. 247

* F_{1i} = Isothermal end force at 100% Cu p. 16

** F_{1p} = Polytrophic end force at 100% Cu



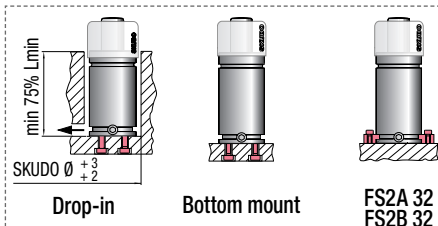
	0 - 80 °C 32 - 176 °F	ΔP ± 0,33 %/°C	P max 180 bar 2610 psi	P min 20 bar 290 psi	S 2,01 cm ² 0,312 in ²	SPM ~ 20 - 100 (at 20°C)	Max Speed 1,8 m/s 70,8 in/s	Maintenance kit 39BMRV00350C
--	--------------------------	---------------------------	------------------------------	----------------------------	--	--------------------------------	-----------------------------------	---------------------------------

CODE PHASING OUT from 04/2021	NEW	Cu		L		L min		F ₀ Initial force daN lb	F _{1i} *		F _{1p} **		V ₀		~Kg ~lb	PED 2014/68/EU	
		mm	inch	mm	inch	mm	inch		daN	lb	daN	lb	cm ³	in ³			
RS 350 - 007 - A	◆ RS 350 - 007 - B	7	0.28	50	1.97	43	1.69	360 809 ± 5% 180 bar 2610 psi + 20 °C +68 °F	484	1088	541	1216	6,9	0.42	0,16	0.36	✓
RS 350 - 010 - A	◆ RS 350 - 010 - B	10	0.39	56	2.20	46	1.81		506	1137	572	1285	8,6	0.52	0,17	0.38	✓
RS 350 - 013 - A	RS 350 - 013 - B	13	0.51	62	2.44	49	1.93		521	1172	594	1334	10,4	0.63	0,18	0.40	✓
RS 350 - 016 - A	RS 350 - 016 - B	16	0.63	68	2.68	52	2.05		533	1198	610	1371	12,2	0.74	0,19	0.42	✓
RS 350 - 022 - A	RS 350 - 022 - B	22	0.87	80	3.15	58	2.28		549	1233	633	1423	15,8	0.96	0,21	0.46	✓
RS 350 - 029 - A	RS 350 - 029 - B	29	1.14	94	3.70	65	2.56		560	1260	650	1461	19,9	1.21	0,23	0.51	✓
RS 350 - 035 - A	RS 350 - 035 - B	35	1.38	106	4.17	71	2.80		567	1276	660	1484	23,5	1.43	0,25	0.55	✓
RS 350 - 047 - A	RS 350 - 047 - B	47	1.85	130	5.12	83	3.27		577	1297	674	1515	30,6	1.87	0,29	0.63	✓
RS 350 - 060 - A	RS 350 - 060 - B	60	2.36	156	6.14	96	3.78		583	1311	683	1536	38,3	2.34	0,33	0.72	✓
RS 350 - 072 - A	RS 350 - 072 - B	72	2.83	180	7.09	108	4.25		587	1320	689	1550	45,4	2.77	0,36	0.80	✓
RS 350 - 077 - A	RS 350 - 077 - B	77	3.03	190	7.48	113	4.45		589	1323	691	1554	48,4	2.95	0,38	0.83	✓
RS 350 - 097 - A	RS 350 - 097 - B	97	3.82	230	9.06	133	5.24		593	1332	697	1567	60,3	3.68	0,44	0.96	✓
RS 350 - 122 - A	RS 350 - 122 - B	122	4.80	280	11.02	158	6.22		602	1354	712	1600	73,9	4.51	0,51	1.13	✓

◆ Disposable

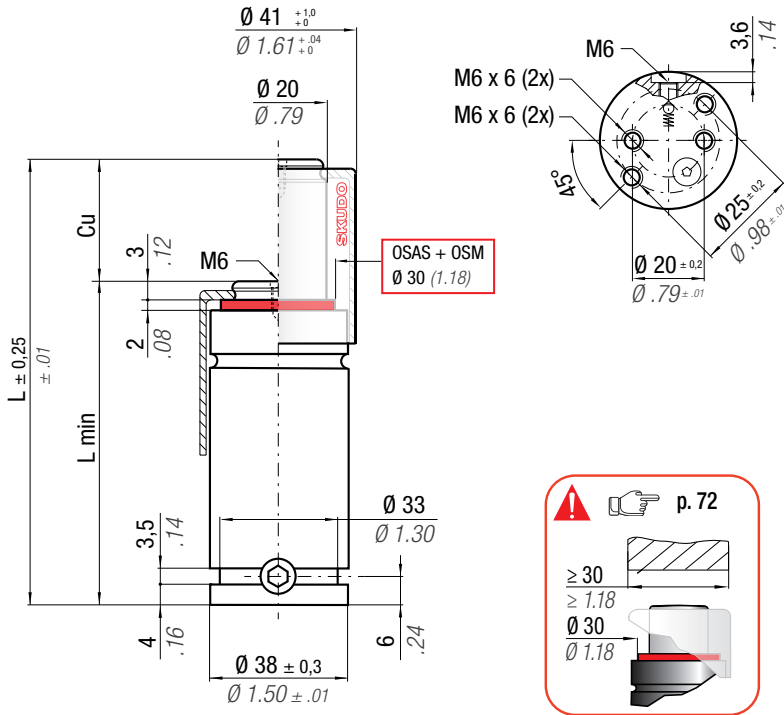
WARNING REMOVE SKUDO

Upside down mounting



HOW TO ORDER p. 73

INSTALLATION GUIDELINE p. 205



OSAS + OSM = OVER STROKE ACTIVE SAFETY + OVER STROKE MARKER

Il nuovo codice sarà fornito solo ad esaurimento del vecchio
 The new code will be supplied only when the old will be out of stock
 Der neue Kode wird nur angegeben, wenn der alte nicht mehr lieferbar ist
 Le nouveau code sera fourni uniquement lorsque le vieux stock sera écoulé
 El nuevo código será suministrado sólo cuando se agoten las existencias del antiguo
 O novo código irá ser fornecido apenas quando o antigo esgotar stock

ACTIVE SAFETY



OSAS



USAS



OPAS

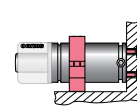
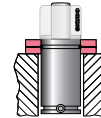


SKUDO

easu MANIFOLD p. 247

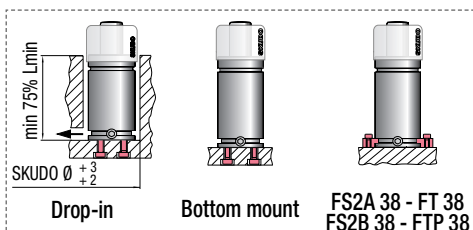
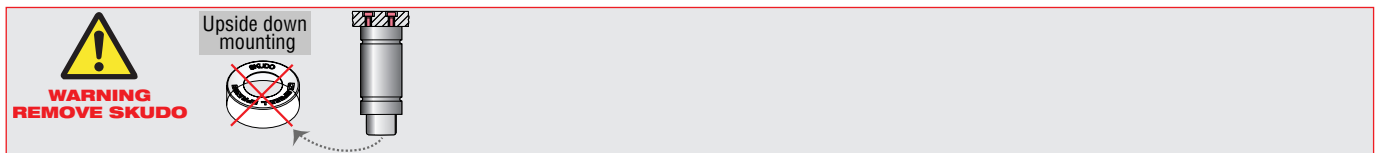
* F_{1i} = Isothermal end force at 100% Cu p. 16

** F_{1p} = Polytrophic end force at 100% Cu



		ΔP $\pm 0,33\% / ^\circ C$	$P \text{ max}$ 150 bar 2175 psi	$P \text{ min}$ 20 bar 290 psi	S 3,14 cm ² 0.487 in ²	SPM ~ 20 - 100 (at 20°C)	Max Speed 1,8 m/s 70.8 in/s	Maintenance kit 39BMRV00500C		
CODE	Cu	L	L min	F₀	F_{1i} *	F_{1p} **	V₀		PED 2014/68/EU	
PHASING OUT from 04/2021	NEW	mm inch	mm inch	mm inch	daN lb	daN lb	cm ³ in ³	~Kg ~lb		
RS 500 - 007 - A	◆ RS 500 - 007 - B	7 0.28	50 1.97	43 1.69	470 1057 ± 5%	611 1375	697 1567	11,2 0.68	0,24 0.53	✓
RS 500 - 010 - A	◆ RS 500 - 010 - B	10 0.39	56 2.20	46 1.81		642 1443	743 1671	13,7 0.84	0,25 0.55	✓
RS 500 - 013 - A	RS 500 - 013 - B	13 0.51	62 2.44	49 1.93		664 1493	778 1749	16,3 0.99	0,26 0.57	✓
RS 500 - 016 - A	RS 500 - 016 - B	16 0.63	68 2.68	52 2.05		682 1532	805 1810	18,9 1.15	0,28 0.62	✓
RS 500 - 022 - A	RS 500 - 022 - B	22 0.87	80 3.15	58 2.28		707 1588	845 1899	24,0 1.46	0,31 0.68	✓
RS 500 - 029 - A	RS 500 - 029 - B	29 1.14	94 3.70	65 2.56		726 1632	876 1968	29,9 1.82	0,34 0.75	✓
RS 500 - 035 - A	RS 500 - 035 - B	35 1.38	106 4.17	71 2.80		738 1659	895 2011	35,0 2.14	0,37 0.82	✓
RS 500 - 047 - A	RS 500 - 047 - B	47 1.85	130 5.12	83 3.27		754 1695	921 2070	45,2 2.76	0,42 0.93	✓
RS 500 - 060 - A	RS 500 - 060 - B	60 2.36	156 6.14	96 3.78		765 1721	939 2111	56,3 3.44	0,48 1.06	✓
RS 500 - 072 - A	RS 500 - 072 - B	72 2.83	180 7.09	108 4.25		773 1737	951 2138	66,5 4.06	0,54 1.19	✓
RS 500 - 077 - A	RS 500 - 077 - B	77 3.03	190 7.48	113 4.45	775 1742	955 2147	70,8 4.32	0,56 1.23	✓	
RS 500 - 097 - A	RS 500 - 097 - B	97 3.82	230 9.06	133 5.24	783 1759	967 2174	87,8 5.36	0,66 1.46	✓	
RS 500 - 122 - A	RS 500 - 122 - B	122 4.80	280 11.02	158 6.22	789 1773	977 2197	109,1 6.66	0,77 1.70	✓	

◆ Disposable



HOW TO ORDER

p. 73

INSTALLATION GUIDELINE

p. 205

OSAS + OSM = **OVER STROKE ACTIVE SAFETY** + **OVER STROKE MARKER**

ACTIVE SAFETY



OSAS



USAS



OPAS



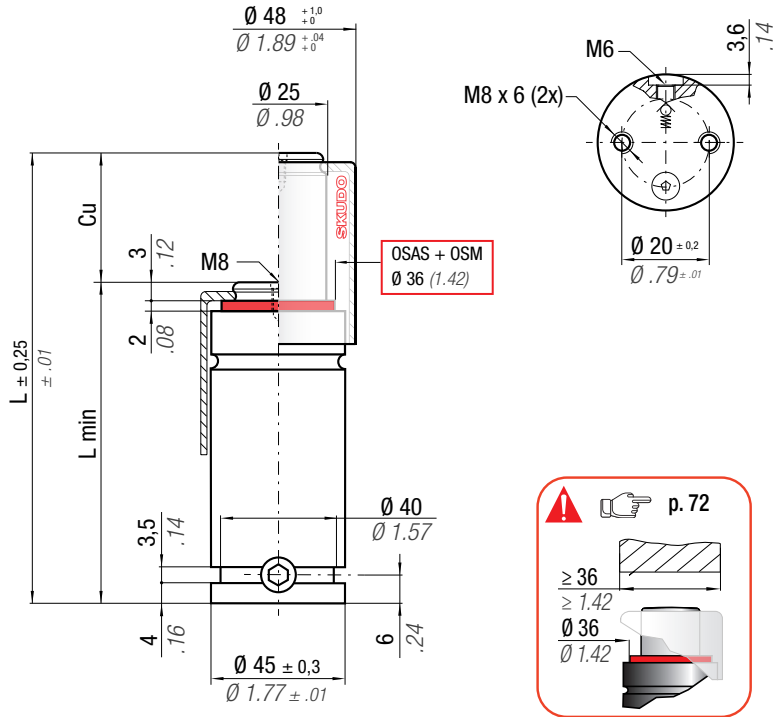
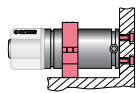
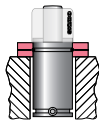
SKUDO

Il nuovo codice sarà fornito solo ad esaurimento del vecchio
 The new code will be supplied only when the old will be out of stock
 Der neue Kode wird nur angegeben, wenn der alte nicht mehr lieferbar ist
 Le nouveau code sera fourni uniquement lorsque le vieux stock sera écolé
 El nuevo código será suministrado sólo cuando se agoten las existencias del antiguo
 O novo código irá ser fornecido apenas quando o antigo esgotar stock

easU MANIFOLD p. 247

* F_{1i} = Isothermal end force at 100% Cu p. 16

** F_{1p} = Polytrophic end force at 100% Cu



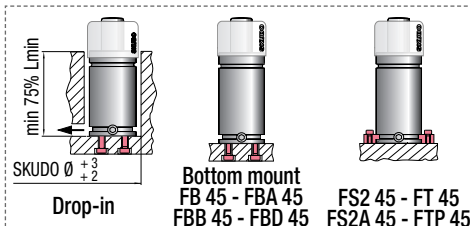
	0 - 80 °C 32 - 176 °F	ΔP ± 0,33 %/°C	P max 150 bar 2175 psi	P min 20 bar 290 psi	S 4,91 cm ² 0,761 in ²	SPM ~ 20 - 100 (at 20°C)	Max Speed 1,8 m/s 70,8 in/s	Maintenance kit 39BMRV00750C
--	--------------------------	---------------------------	------------------------------	----------------------------	--	--------------------------------	-----------------------------------	---------------------------------

CODE PHASING OUT from 04/2021	NEW	Cu		L		L min		F ₀ Initial force		F _{1i} * End force *		F _{1p} ** End force **		V ₀		PED 2014/68/EU		
		mm	inch	mm	inch	mm	inch	daN	lb	daN	lb	daN	lb	cm ³	in ³		~Kg	~lb
RS 750 - 007 - A	◆ RS 750 - 007 - B	7	0.28	52	2.05	45	1.77	740 ± 5% 1664 150 bar 2175psi + 20 °C +68 °F		972	2185	1114	2504	16,5	1.01	0,36	0,79	✓
RS 750 - 010 - A	◆ RS 750 - 010 - B	10	0.39	58	2.28	48	1.89			1024	2301	1193	2683	20,3	1.24	0,38	0,84	✓
RS 750 - 013 - A	RS 750 - 013 - B	13	0.51	64	2.52	51	2.01			1062	2388	1253	2818	24,1	1.47	0,39	0,86	✓
RS 750 - 016 - A	RS 750 - 016 - B	16	0.63	70	2.76	54	2.13			1092	2454	1300	2923	27,9	1.70	0,41	0,90	✓
RS 750 - 022 - A	RS 750 - 022 - B	22	0.87	82	3.23	60	2.36			1135	2551	1369	3077	35,4	2.16	0,45	0,99	✓
RS 750 - 029 - A	RS 750 - 029 - B	29	1.14	96	3.78	67	2.64			1168	2627	1423	3198	44,3	2.70	0,50	1.10	✓
RS 750 - 035 - A	RS 750 - 035 - B	35	1.38	108	4.25	73	2.87			1189	2673	1456	3273	51,8	3.16	0,54	1.19	✓
RS 750 - 047 - A	RS 750 - 047 - B	47	1.85	132	5.20	85	3.35			1217	2736	1502	3377	67,0	4.09	0,61	1.34	✓
RS 750 - 060 - A	RS 750 - 060 - B	60	2.36	158	6.22	98	3.86			1237	2781	1535	3450	83,4	5.09	0,70	1.54	✓
RS 750 - 072 - A	RS 750 - 072 - B	72	2.83	182	7.17	110	4.33			1250	2809	1556	3497	98,5	6.01	0,77	1.70	✓
RS 750 - 077 - A	RS 750 - 077 - B	77	3.03	192	7.56	115	4.53			1254	2819	1563	3513	104,8	6.40	0,81	1.79	✓
RS 750 - 097 - A	RS 750 - 097 - B	97	3.82	232	9.13	135	5.31			1267	2848	1584	3561	130,0	7.93	0,93	2.05	✓
RS 750 - 122 - A	RS 750 - 122 - B	122	4.80	282	11.10	160	6.30			1278	2872	1602	3602	161,5	9.86	1,10	2.43	✓

◆ Disposable

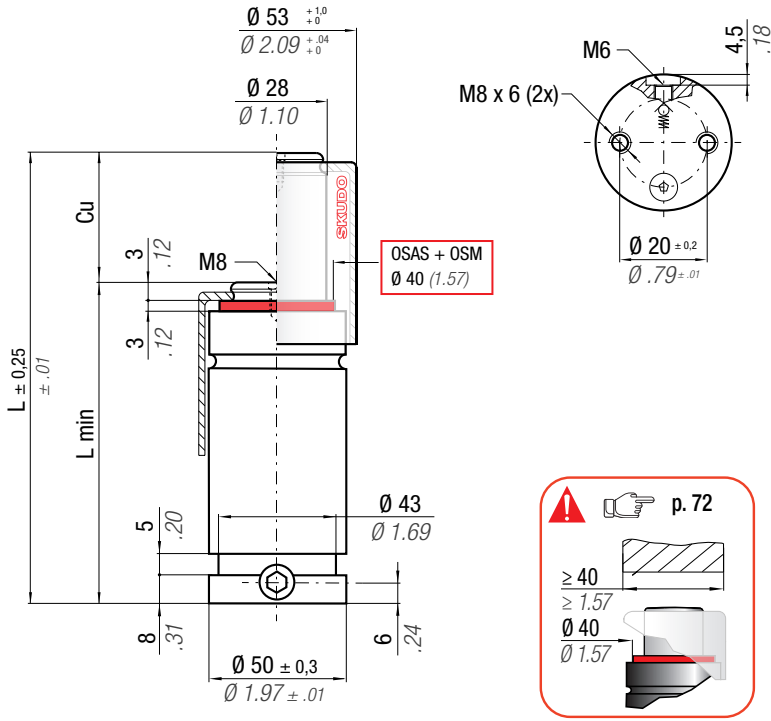
WARNING REMOVE SKUDO

Upside down mounting



HOW TO ORDER p. 73

INSTALLATION GUIDELINE p. 205



OSAS + OSM = **OVER STROKE ACTIVE SAFETY** + **OVER STROKE MARKER**

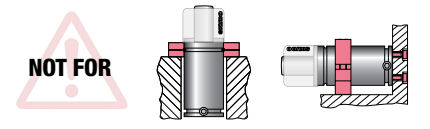
Il nuovo codice sarà fornito solo ad esaurimento del vecchio
 The new code will be supplied only when the old will be out of stock
 Der neue Kode wird nur angegeben, wenn der alte nicht mehr lieferbar ist
 Le nouveau code sera fourni uniquement lorsque le vieux stock sera écoulé
 El nuevo código será suministrado sólo cuando se agoten las existencias del antiguo
 O novo código irá ser fornecido apenas quando o antigo esgotar stock

ACTIVE SAFETY

- OSAS
- USAS
- OPAS
- SKUDO

easu MANIFOLD p. 247

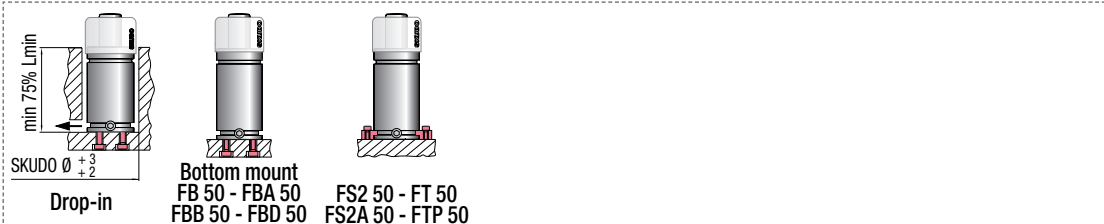
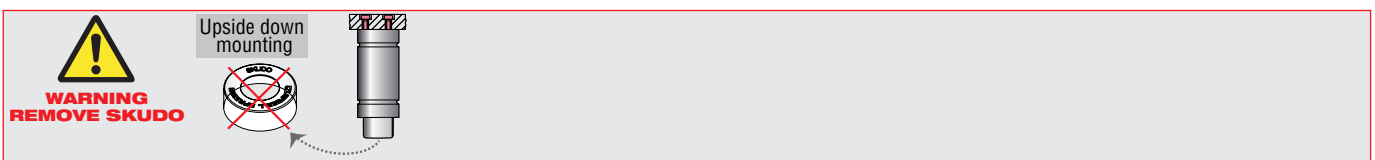
* F_{1i} = Isothermal end force at 100% Cu p. 16
 ** F_{1p} = Polytrophic end force at 100% Cu



N₂	0 - 80 °C 32 - 176 °F	ΔP $\pm 0,33\% / ^\circ C$	P max 150 bar 2175 psi	P min 20 bar 290 psi	S 6,15 cm ² 0.953 in ²	SPM ~ 20 - 100 (at 20°C)	Max Speed 1,8 m/s 70.8 in/s	Maintenance kit 39BMRV01000C
----------------------	---------------------------------	---	-------------------------------------	-----------------------------------	---	---------------------------------------	--	--

CODE PHASING OUT from 04/2021	NEW	Cu		L		L min		F ₀ Initial force		F _{1i} * End force *		F _{1p} ** End force **		V ₀		PED 2014/68/EU		
		mm	inch	mm	inch	mm	inch	daN	lb	daN	lb	daN	lb	cm ³	in ³	~Kg	~lb	✓
RS 1000 - 010 - A	◆ RS 1000 - 010 - B	10	0.39	64	2.52	54	2.13	920 2068 ± 5%	150 bar 2175 psi	1236	2779	1424	3200	28,4	1.73	0,51	1.12	✓
RS 1000 - 013 - A	◆ RS 1000 - 013 - B	13	0.51	70	2.76	57	2.24			1285	2889	1499	3370	33,0	2.01	0,54	1.19	✓
RS 1000 - 016 - A	RS 1000 - 016 - B	16	0.63	76	2.99	60	2.36			1325	2978	1560	3508	37,7	2.30	0,56	1.23	✓
RS 1000 - 022 - A	RS 1000 - 022 - B	22	0.87	88	3.46	66	2.60			1384	3110	1653	3717	47,0	2.87	0,61	1.34	✓
RS 1000 - 029 - A	RS 1000 - 029 - B	29	1.14	102	4.02	73	2.87			1432	3219	1730	3889	58,0	3.54	0,67	1.48	✓
RS 1000 - 035 - A	RS 1000 - 035 - B	35	1.38	114	4.49	79	3.11			1462	3287	1779	3999	67,3	4.11	0,71	1.57	✓
RS 1000 - 047 - A	RS 1000 - 047 - B	47	1.85	138	5.43	91	3.58			1505	3383	1848	4156	86,0	5.25	0,81	1.79	✓
RS 1000 - 060 - A	RS 1000 - 060 - B	60	2.36	164	6.46	104	4.09			1536	3452	1899	4269	106,3	6.49	0,91	2.01	✓
RS 1000 - 072 - A	RS 1000 - 072 - B	72	2.83	188	7.40	116	4.57			1556	3498	1932	4343	125,0	7.63	1,05	2.31	✓
RS 1000 - 077 - A	RS 1000 - 077 - B	77	3.03	198	7.80	121	4.76			1563	3513	1943	4368	132,8	8.10	1,09	2.40	✓
RS 1000 - 097 - A	RS 1000 - 097 - B	97	3.82	238	9.37	141	5.55	1584	3560	1978	4447	163,9	10.00	1,21	2.67	✓		
RS 1000 - 122 - A	RS 1000 - 122 - B	122	4.80	288	11.34	166	6.54	1601	3600	2008	4513	202,9	12.38	1,41	3.11	✓		

◆ Disposable



HOW TO ORDER
 p. 73
INSTALLATION GUIDELINE
 p. 205

OSAS + OSM = **OVER STROKE ACTIVE SAFETY** + **OVER STROKE MARKER**

ACTIVE SAFETY



OSAS



USAS



OPAS



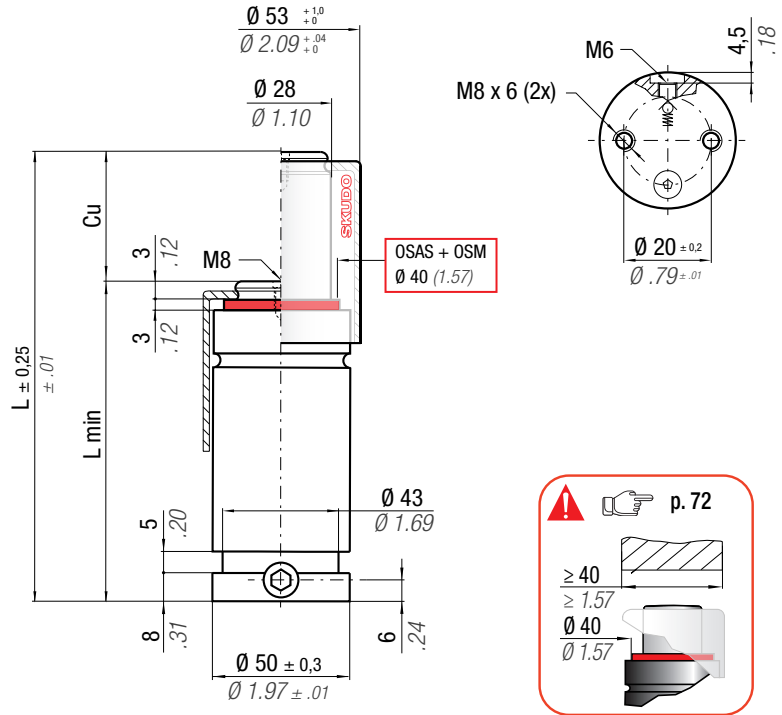
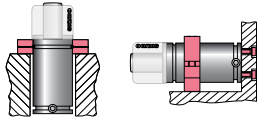
SKUDO

Il nuovo codice sarà fornito solo ad esaurimento del vecchio
 The new code will be supplied only when the old will be out of stock
 Der neue Kode wird nur angegeben, wenn der alte nicht mehr lieferbar ist
 Le nouveau code sera fourni uniquement lorsque le vieux stock sera écoulé
 El nuevo código será suministrado sólo cuando se agoten las existencias del antiguo
 O novo código irá ser fornecido apenas quando o antigo esgotar stock

easU MANIFOLD p. 247

* F_{1i} = Isothermal end force at 100% Cu p. 16

** F_{1p} = Polytrophic end force at 100% Cu



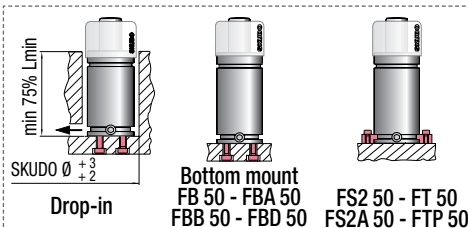
	0 - 80 °C 32 - 176 °F	ΔP ± 0,33 %/°C	P max 170 bar 2465 psi	P min 20 bar 290 psi	S 6,15 cm ² 0,953 in ²	SPM ~ 20 - 100 (at 20°C)	Max Speed 1,8 m/s 70,8 in/s	Maintenance kit 39BMRV01000C
--	--------------------------	---------------------------	-------------------------------------	-----------------------------------	---	---------------------------------------	--	--

CODE PHASING OUT from 04/2021	NEW	Cu		L		L min		F ₀		F _{1i} *		F _{1p} **		V ₀		~Kg	~lb	PED 2014/68/EU
		mm	inch	mm	inch	mm	inch	daN	lb	daN	lb	daN	lb	cm ³	in ³			
RS 1200 - 010 - A	◆ RS 1200 - 010 - B	10	0.39	64	2.52	54	2.13	1046 ± 5% 170 bar 2465 psi + 20 °C +68 °F	2352	1418	3187	1605	3608	28,4	1.73	0,51	1.12	✓
RS 1200 - 013 - A	◆ RS 1200 - 013 - B	13	0.51	70	2.76	57	2.24			1476	3318	1690	3799	33,0	2.01	0,54	1.19	✓
RS 1200 - 016 - A	RS 1200 - 016 - B	16	0.63	76	2.99	60	2.36			1523	3424	1759	3954	37,7	2.30	0,56	1.23	✓
RS 1200 - 022 - A	RS 1200 - 022 - B	22	0.87	88	3.46	66	2.60			1594	3583	1864	4190	47,0	2.87	0,61	1.34	✓
RS 1200 - 029 - A	RS 1200 - 029 - B	29	1.14	102	4.02	73	2.87			1652	3713	1950	4385	58,0	3.54	0,67	1.48	✓
RS 1200 - 035 - A	RS 1200 - 035 - B	35	1.38	114	4.49	79	3.11			1688	3795	2006	4509	67,3	4.11	0,71	1.57	✓
RS 1200 - 047 - A	RS 1200 - 047 - B	47	1.85	138	5.43	91	3.58			1740	3911	2084	4685	86,0	5.25	0,81	1.79	✓
RS 1200 - 060 - A	RS 1200 - 060 - B	60	2.36	164	6.46	104	4.09			1776	3994	2141	4812	106,3	6.49	0,91	2.01	✓
RS 1200 - 072 - A	RS 1200 - 072 - B	72	2.83	188	7.40	116	4.57			1801	4048	2178	4896	125,0	7.63	1,05	2.31	✓
RS 1200 - 077 - A	RS 1200 - 077 - B	77	3.03	198	7.80	121	4.76			1809	4067	2191	4925	132,8	8.10	1,09	2.40	✓
RS 1200 - 097 - A	RS 1200 - 097 - B	97	3.82	238	9.37	141	5.55	1834	4124	2230	5014	163,9	10.00	1,21	2.67	✓		
RS 1200 - 122 - A	RS 1200 - 122 - B	122	4.80	288	11.34	166	6.54	1856	4172	2263	5088	202,9	12.38	1,41	3.11	✓		

◆ Disposable

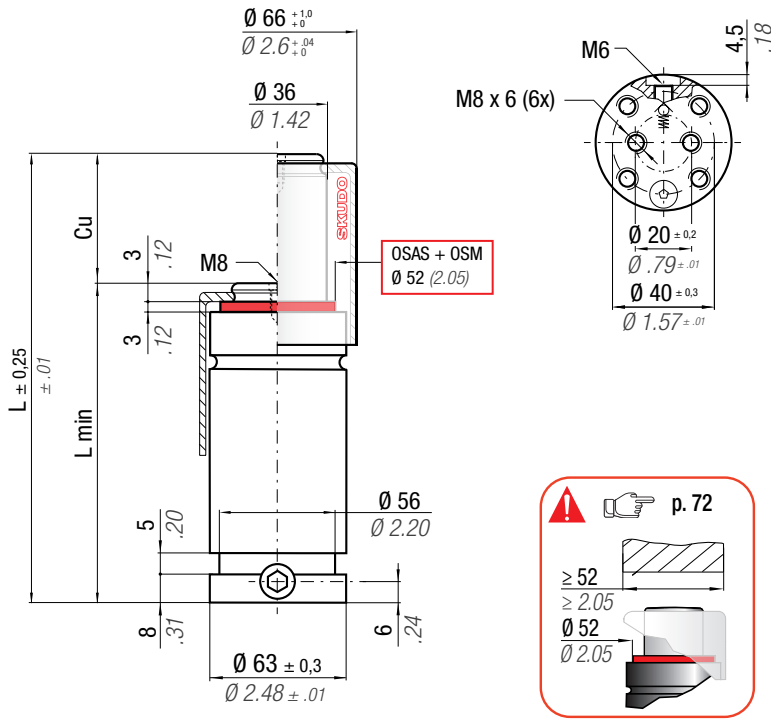
WARNING REMOVE SKUDO

Upside down mounting



HOW TO ORDER p. 73

INSTALLATION GUIDELINE p. 205



OSAS + OSM = **OVER STROKE ACTIVE SAFETY** + **OVER STROKE MARKER**

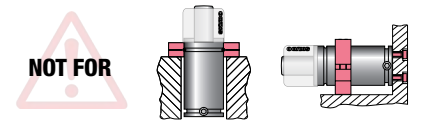
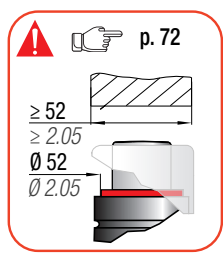
Il nuovo codice sarà fornito solo ad esaurimento del vecchio
 The new code will be supplied only when the old will be out of stock
 Der neue Kode wird nur angegeben, wenn der alte nicht mehr lieferbar ist
 Le nouveau code sera fourni uniquement lorsque le vieux stock sera écoulé
 El nuevo código será suministrado sólo cuando se agoten las existencias del antiguo
 O novo código irá ser fornecido apenas quando o antigo esgotar stock

ACTIVE SAFETY

- OSAS
- USAS
- OPAS
- SKUDO

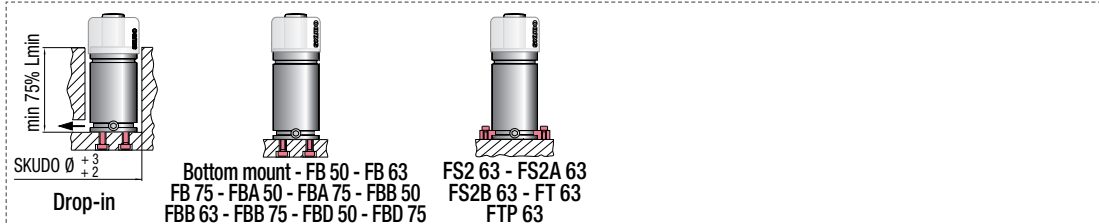
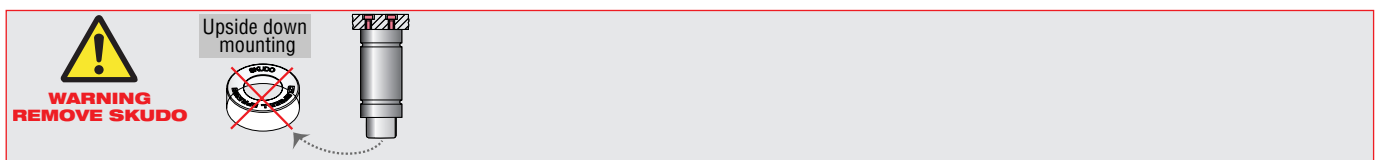
easu MANIFOLD p. 247

* F_{1i} = Isothermal end force at 100% Cu p. 16
 ** F_{1p} = Polytrophic end force at 100% Cu



N ₂		0 - 80 °C 32 - 176 °F	ΔP ± 0,33 %/°C	P max 150 bar 2175 psi	P min 20 bar 290 psi	S 10,18 cm ² 1.578 in ²	SPM ~ 20 - 100 (at 20°C)	Max Speed 1,8 m/s 70.8 in/s	Maintenance kit 39BMRV01500C
CODE	NEW	Cu	L	L min	F ₀	F _{1i} *	F _{1p} **	V ₀	
PHASING OUT from 04/2021		mm inch	mm inch	mm inch	Initial force daN lb	End force * daN lb	End force ** daN lb	cm ³ in ³	~Kg ~lb
RS 1500 - 010 - B	◆ RS 1500 - 010 - C	10 0.39	70 2.76	60 2.36	1530 3440 ± 5% 150 bar 2175 psi + 20 °C +68 °F	1981 4453	2258 5076	52 3.17	0,92 2,03
RS 1500 - 013 - B	◆ RS 1500 - 013 - C	13 0.51	76 2.99	63 2.48		2057 4625	2374 5337	60 3.66	0,96 2,12
RS 1500 - 016 - B	RS 1500 - 016 - C	16 0.63	82 3.23	66 2.60		2119 4764	2470 5552	68 4.15	0,99 2,18
RS 1500 - 022 - B	RS 1500 - 022 - C	22 0.87	94 3.70	72 2.83		2214 4978	2618 5885	83 5.06	1,06 2,34
RS 1500 - 029 - B	RS 1500 - 029 - C	29 1.14	108 4.25	79 3.11		2294 5156	2743 6166	102 6.22	1,14 2,51
RS 1500 - 035 - B	RS 1500 - 035 - C	35 1.38	120 4.72	85 3.35		2344 5270	2824 6348	118 7.20	1,21 2,67
RS 1500 - 047 - B	RS 1500 - 047 - C	47 1.85	144 5.67	97 3.82		2417 5433	2940 6610	149 9.09	1,35 2,98
RS 1500 - 060 - B	RS 1500 - 060 - C	60 2.36	170 6.69	110 4.33		2470 5552	3026 6803	184 11.23	1,51 3,33
RS 1500 - 072 - B	RS 1500 - 072 - C	72 2.83	194 7.64	122 4.80		2505 5631	3083 6931	215 13.12	1,65 3,64
RS 1500 - 077 - B	RS 1500 - 077 - C	77 3.03	204 8.03	127 5.00		2517 5657	3103 6975	229 13.97	1,71 3,77
RS 1500 - 097 - B	RS 1500 - 097 - C	97 3.82	244 9.61	147 5.79	2554 5741	3164 7112	281 17.15	1,94 4,28	
RS 1500 - 122 - B	RS 1500 - 122 - C	122 4.80	294 11.57	172 6.77	2585 5811	3215 7228	347 21.18	2,23 4,92	

◆ Disposable



HOW TO ORDER
 p. 73
INSTALLATION GUIDELINE
 p. 205

OSAS + OSM = **OVER STROKE ACTIVE SAFETY** + **OVER STROKE MARKER**

ACTIVE SAFETY



OSAS



USAS



OPAS



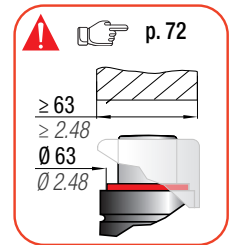
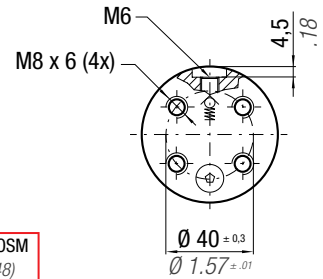
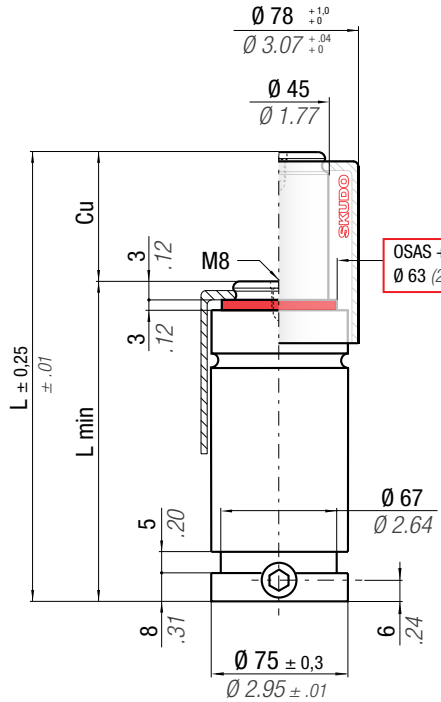
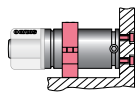
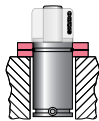
SKUDO

Il nuovo codice sarà fornito solo ad esaurimento del vecchio
 The new code will be supplied only when the old will be out of stock
 Der neue Kode wird nur angegeben, wenn der alte nicht mehr lieferbar ist
 Le nouveau code sera fourni uniquement lorsque le vieux stock sera écoulé
 El nuevo código será suministrado sólo cuando se agoten las existencias del antiguo
 O novo código irá ser fornecido apenas quando o antigo esgotar stock

easU MANIFOLD p. 247

* F_{1i} = Isothermal end force at 100% Cu p. 16

** F_{1p} = Polytrophic end force at 100% Cu

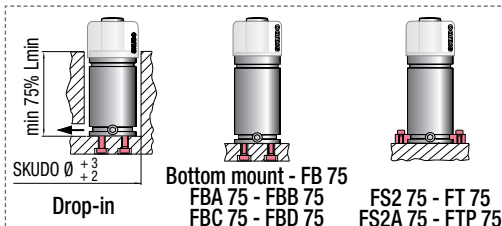


N₂		0 - 80 °C 32 - 176 °F	ΔP ± 0,33 %/°C	P max 150 bar 2175 psi	P min 20 bar 290 psi	S 15,90 cm ² 2,465 in ²	SPM ~ 20 - 100 (at 20°C)	Max Speed 1,8 m/s 70,8 in/s	Maintenance kit 39BMRV02400D	
CODE	NEW	Cu	L	L min	F ₀	F _{1i} *	F _{1p} **	V ₀		
PHASING OUT from 04/2021		mm / inch	mm / inch	mm / inch	Initial force daN / lb	End force * daN / lb	End force ** daN / lb	cm ³ / in ³	~Kg / ~lb	2014/68/EU
RS 2400 - 013 - A	◆ RS 2400 - 013 - B	13 / 0.51	77 / 3.03	64 / 2.52	2385 / 5362 ± 5% 150 bar 2175 psi + 20 °C +68 °F	3232 / 7267	3737 / 8402	92 / 5.61	1,36 / 3,00	✓
RS 2400 - 016 - A	◆ RS 2400 - 016 - B	16 / 0.63	83 / 3.27	67 / 2.64		3334 / 7495	3894 / 8755	104 / 6.35	1,40 / 3,09	✓
RS 2400 - 022 - A	RS 2400 - 022 - B	22 / 0.87	95 / 3.74	73 / 2.87		3491 / 7847	4139 / 9305	128 / 7.81	1,50 / 3,31	✓
RS 2400 - 029 - A	RS 2400 - 029 - B	29 / 1.14	109 / 4.29	80 / 3.15		3622 / 8142	4347 / 9772	156 / 9.52	1,61 / 3,55	✓
RS 2400 - 035 - A	RS 2400 - 035 - B	35 / 1.38	121 / 4.76	86 / 3.39		3706 / 8332	4482 / 10076	180 / 10.98	1,70 / 3,75	✓
RS 2400 - 047 - A	RS 2400 - 047 - B	47 / 1.85	145 / 5.71	98 / 3.86		3828 / 8606	4678 / 10517	228 / 13.91	1,89 / 4,17	✓
RS 2400 - 060 - A	RS 2400 - 060 - B	60 / 2.36	171 / 6.73	111 / 4.37		3917 / 8806	4823 / 10843	280 / 17.09	2,09 / 4,61	✓
RS 2400 - 072 - A	RS 2400 - 072 - B	72 / 2.83	195 / 7.68	123 / 4.84		3976 / 8939	4920 / 11061	328 / 20.02	2,28 / 5,03	✓
RS 2400 - 077 - A	RS 2400 - 077 - B	77 / 3.03	205 / 8.07	128 / 5.04		3996 / 8984	4953 / 11136	348 / 21.24	2,36 / 5,20	✓
RS 2400 - 097 - A	RS 2400 - 097 - B	97 / 3.82	245 / 9.65	148 / 5.83		4059 / 9126	5057 / 11369	428 / 26.12	2,67 / 5,89	✓
RS 2400 - 122 - A	RS 2400 - 122 - B	122 / 4.80	295 / 11.61	173 / 6.81	4113 / 9246	5146 / 11568	528 / 32.22	3,07 / 6,77	✓	

◆ Disposable

WARNING REMOVE SKUDO

Upside down mounting

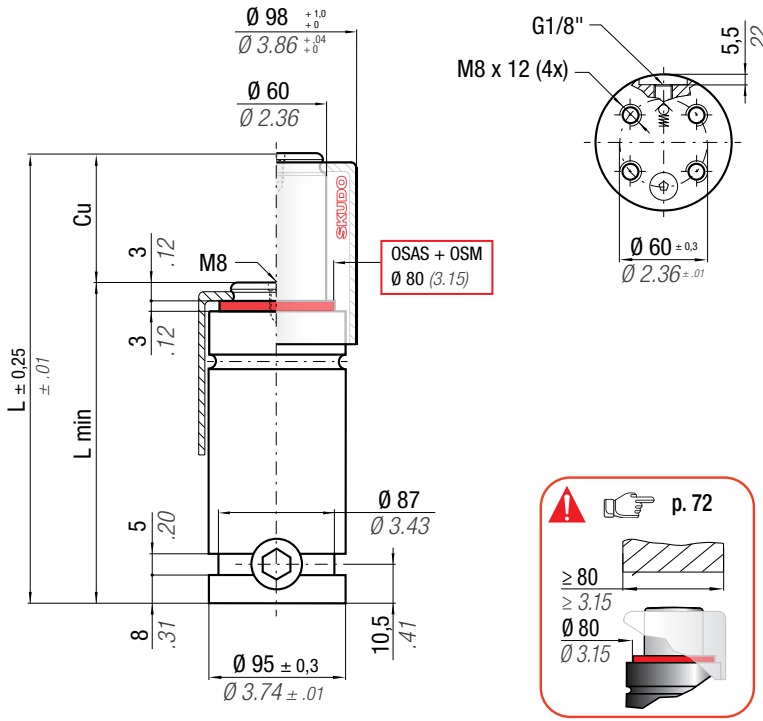


HOW TO ORDER

p. 73

INSTALLATION GUIDELINE

p. 205



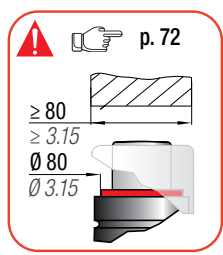
OSAS + OSM = **OVER STROKE ACTIVE SAFETY** + **OVER STROKE MARKER**

Il nuovo codice sarà fornito solo ad esaurimento del vecchio
 The new code will be supplied only when the old will be out of stock
 Der neue Kode wird nur angegeben, wenn der alte nicht mehr lieferbar ist
 Le nouveau code sera fourni uniquement lorsque le vieux stock sera écoulé
 El nuevo código será suministrado sólo cuando se agoten las existencias del antiguo
 O novo código irá ser fornecido apenas quando o antigo esgotar stock

ACTIVE SAFETY

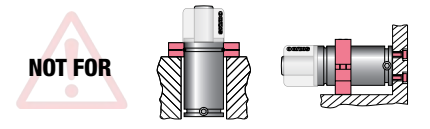
- OSAS
- USAS
- OPAS
- SKUDO

easU MANIFOLD p. 247



* F_{1i} = Isothermal end force at 100% Cu p. 16

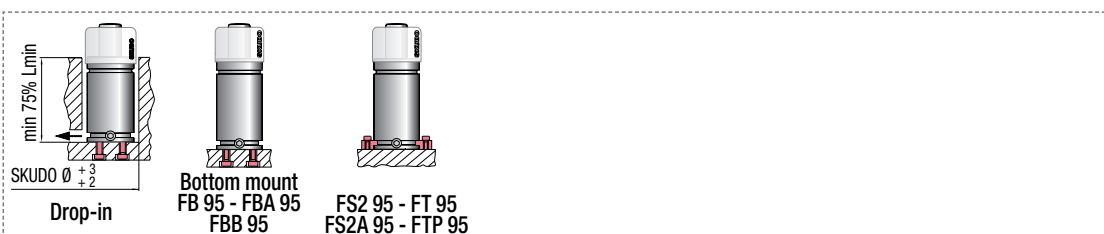
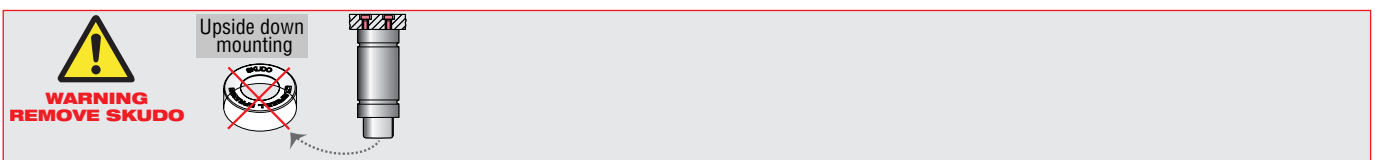
** F_{1p} = Polytrophic end force at 100% Cu



N ₂	0 - 80 °C 32 - 176 °F	ΔP ± 0,33 %/°C	P max 150 bar 2175 psi	P min 20 bar 290 psi	S 28,27 cm ² 4.382 in ²	SPM ~ 20 - 100 (at 20°C)	Max Speed 1,8 m/s 70.8 in/s	Maintenance kit 39BMRV04200C
----------------	--------------------------	---------------------------	-------------------------------------	-----------------------------------	--	---------------------------------------	--	--

CODE PHASING OUT from 04/2021	NEW	Cu		L		L min		F ₀ Initial force		F _{1i} * End force *		F _{1p} ** End force **		V ₀		PED 2014/68/EU		
		mm	inch	mm	inch	mm	inch	daN	lb	daN	lb	daN	lb	cm ³	in ³	~Kg	~lb	✓
RS 4200 - 013 - A	◆ RS 4200 - 013 - B	13	0.51	90	3.54	77	3.03	4240 9532 ± 5%	150 bar 2175 psi	5651	12703	6498	14607	172	10.50	2,76	6.08	✓
RS 4200 - 016 - A	◆ RS 4200 - 016 - B	16	0.63	96	3.78	80	3.15			5842	13133	6791	15267	192	11.72	2,83	6.24	✓
RS 4200 - 022 - A	RS 4200 - 022 - B	22	0.87	108	4.25	86	3.39			6147	13819	7266	16334	232	14.16	2,98	6.57	✓
RS 4200 - 029 - A	RS 4200 - 029 - B	29	1.14	122	4.80	93	3.66			6413	14417	7687	17280	279	17.03	3,16	6.97	✓
RS 4200 - 035 - A	RS 4200 - 035 - B	35	1.38	134	5.28	99	3.90			6590	14815	7969	17915	320	19.53	3,30	7.28	✓
RS 4200 - 047 - A	RS 4200 - 047 - B	47	1.85	158	6.22	111	4.37			6852	15403	8392	18866	401	24.47	3,60	7.94	✓
RS 4200 - 060 - A	RS 4200 - 060 - B	60	2.36	184	7.24	124	4.88			7049	15848	8715	19593	488	29.78	3,93	8.66	✓
RS 4200 - 072 - A	RS 4200 - 072 - B	72	2.83	208	8.19	136	5.35			7184	16149	8936	20089	569	34.72	4,20	9.26	✓
RS 4200 - 077 - A	RS 4200 - 077 - B	77	3.03	218	8.58	141	5.55			7230	16254	9013	20262	603	36.80	4,35	9.59	✓
RS 4200 - 097 - A	RS 4200 - 097 - B	97	3.82	258	10.16	161	6.34			7377	16583	9256	20809	737	44.97	4,85	10.69	✓
RS 4200 - 122 - A	RS 4200 - 122 - B	122	4.80	308	12.13	186	7.32	7503	16867	9467	21283	906	55.29	5,47	12.06	✓		

◆ Disposable



HOW TO ORDER p. 73

INSTALLATION GUIDELINE p. 205

OSAS + OSM = **OVER STROKE ACTIVE SAFETY** + **OVER STROKE MARKER**

ACTIVE SAFETY



OSAS



USAS



OPAS



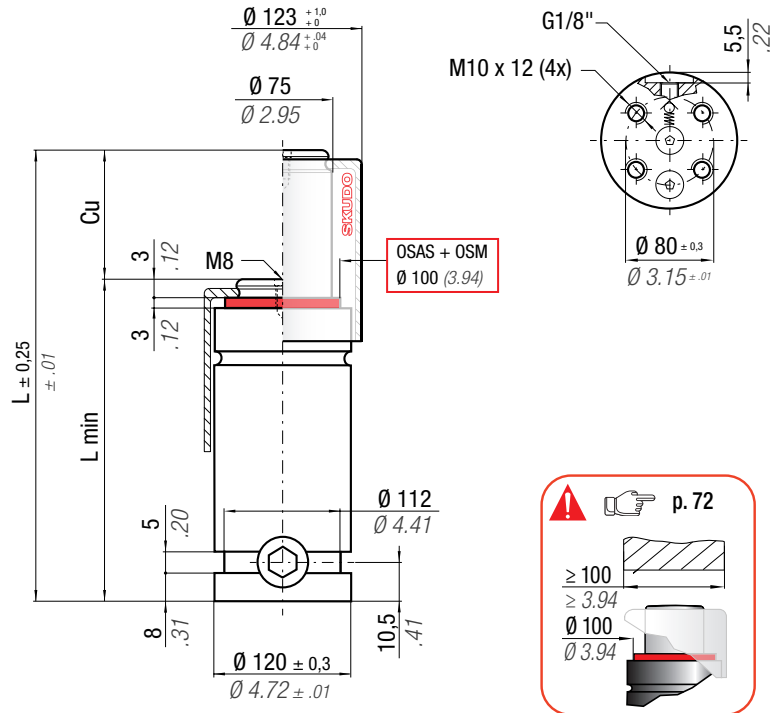
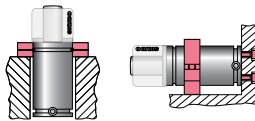
SKUDO

Il nuovo codice sarà fornito solo ad esaurimento del vecchio
 The new code will be supplied only when the old will be out of stock
 Der neue Kode wird nur angegeben, wenn der alte nicht mehr lieferbar ist
 Le nouveau code sera fourni uniquement lorsque le vieux stock sera écolé
 El nuevo código será suministrado sólo cuando se agoten las existencias del antiguo
 O novo código irá ser fornecido apenas quando o antigo esgotar stock

easU MANIFOLD p. 247

* F_{1i} = Isothermal end force at 100% Cu p. 16

** F_{1p} = Polytrophic end force at 100% Cu



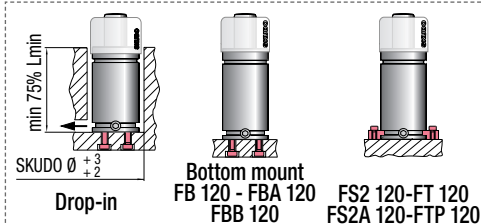
	0 - 80 °C 32 - 176 °F	ΔP ± 0,33 %/°C	P max 150 bar 2175 psi	P min 20 bar 290 psi	S 44,18 cm ² 6.848 in ²	SPM ~ 20 - 100 (at 20°C)	Max Speed 1,8 m/s 70.8 in/s	Maintenance kit 39BMRV06600C
--	--------------------------	---------------------------	------------------------------	----------------------------	---	--------------------------------	-----------------------------------	---------------------------------

CODE PHASING OUT from 04/2021	NEW	Cu		L		L min		F ₀ Initial force		F _{1i} * End force *		F _{1p} ** End force **		V ₀		PED 2014/68/EU		
		mm	inch	mm	inch	mm	inch	daN	lb	daN	lb	daN	lb	cm ³	in ³		~Kg	~lb
RS 6600 - 013 - A	◆ RS 6600 - 013 - B	13	0.51	100	3.94	87	3.43	6630 ± 5% 14904 150 bar 2175 psi + 20 °C +68 °F		8547	19215	9724	21861	298	18.19	5,06	11.16	✓
RS 6600 - 016 - A	◆ RS 6600 - 016 - B	16	0.63	106	4.17	90	3.54			8826	19843	10148	22814	330	20.14	5,17	11.40	✓
RS 6600 - 022 - A	RS 6600 - 022 - B	22	0.87	118	4.65	96	3.78			9282	20867	10850	24391	394	24.04	5,42	11.95	✓
RS 6600 - 029 - A	RS 6600 - 029 - B	29	1.14	132	5.20	103	4.06			9690	21784	11488	25825	469	28.62	5,69	12.54	✓
RS 6600 - 035 - A	RS 6600 - 035 - B	35	1.38	144	5.67	109	4.29			9967	22406	11925	26808	533	32.53	5,93	13.07	✓
RS 6600 - 047 - A	RS 6600 - 047 - B	47	1.85	168	6.61	121	4.76			10385	23346	12593	28311	660	40.28	6,40	14.11	✓
RS 6600 - 060 - A	RS 6600 - 060 - B	60	2.36	194	7.64	134	5.28			10707	24071	13115	29485	799	48.76	6,90	15.21	✓
RS 6600 - 072 - A	RS 6600 - 072 - B	72	2.83	218	8.58	146	5.75			10930	24571	13479	30301	927	56.57	7,40	16.31	✓
RS 6600 - 077 - A	RS 6600 - 077 - B	77	3.03	228	8.98	151	5.94			11007	24746	13606	30587	980	59.80	7,60	16.76	✓
RS 6600 - 097 - A	RS 6600 - 097 - B	97	3.82	268	10.55	171	6.73			11255	25302	14013	31503	1193	72.80	8,40	18.52	✓
RS 6600 - 122 - A	RS 6600 - 122 - B	122	4.80	318	12.52	196	7.72	11471	25787	14371	32307	1459	89.03	9,40	20.72	✓		

◆ Disposable

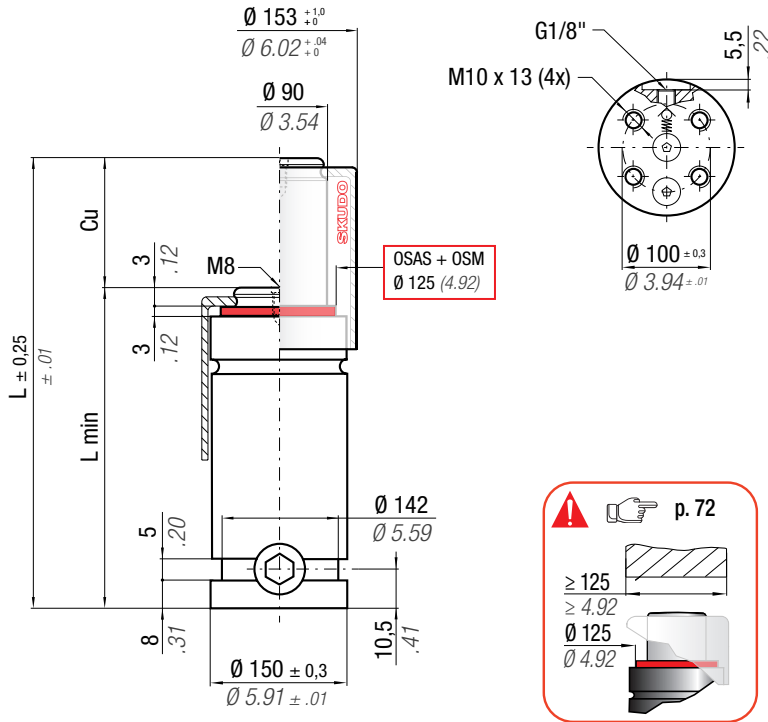
WARNING REMOVE SKUDO

Upside down mounting



HOW TO ORDER p. 73

INSTALLATION GUIDELINE p. 205



OSAS + OSM = OVER STROKE ACTIVE SAFETY + OVER STROKE MARKER

Il nuovo codice sarà fornito solo ad esaurimento del vecchio
 The new code will be supplied only when the old will be out of stock
 Der neue Kode wird nur angegeben, wenn der alte nicht mehr lieferbar ist
 Le nouveau code sera fourni uniquement lorsque le vieux stock sera écoulé
 El nuevo código será suministrado sólo cuando se agoten las existencias del antiguo
 O novo código irá ser fornecido apenas quando o antigo esgotar stock

ACTIVE SAFETY



OSAS



USAS



OPAS

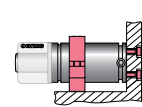
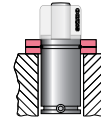
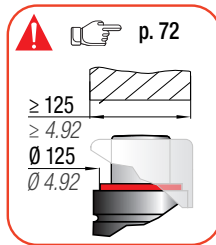


SKUDO

easu MANIFOLD p. 247

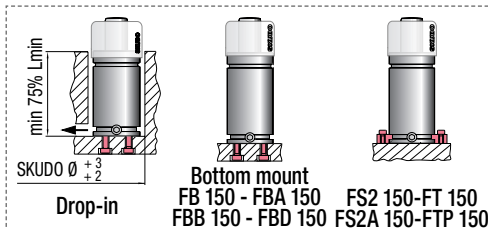
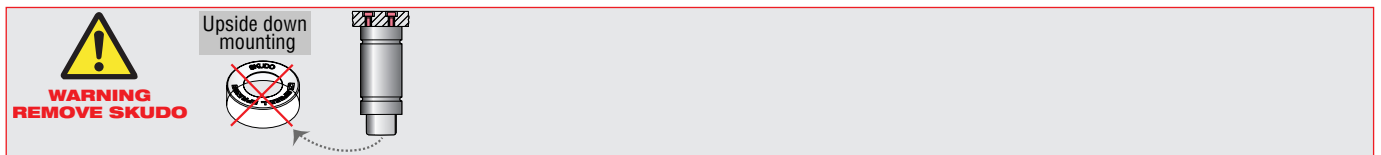
* F_{1i} = Isothermal end force at 100% Cu p. 16

** F_{1p} = Polytrophic end force at 100% Cu



N₂		0 - 80 °C 32 - 176 °F	ΔP ± 0,33 %/°C	P max 150 bar 2175 psi	P min 20 bar 290 psi	S 63,62 cm ² 9.864 in ²	SPM ~ 20 - 100 (at 20°C)	Max Speed 1,8 m/s 70.8 in/s	Maintenance kit 39BMRV09500C							
CODE	NEW	Cu	L	L min	F₀	F_{1i} *	F_{1p} **	V₀	PED 2014/68/EU							
PHASING OUT		mm	inch	mm	inch	daN	lb	cm ³	in ³	~Kg	~lb					
from 04/2021																
RS 9500 - 016 - A	◆ RS 9500 - 016 - B	16	0.63	116	4.57	12414	27908	14164	31841	513	31.31	9,51	20.97	✓		
RS 9500 - 022 - A	◆ RS 9500 - 022 - B	22	0.87	128	5.04	13018	29265	15085	33913	609	37.16	9,90	21.83	✓		
RS 9500 - 029 - A	RS 9500 - 029 - B	29	1.14	142	5.59	9540	21446	13561	30487	15927	35805	721	44.00	10,30	22.71	✓
RS 9500 - 035 - A	RS 9500 - 035 - B	35	1.38	154	6.06	± 5%		13930	31317	16505	37105	818	49.92	10,70	23.59	✓
RS 9500 - 047 - A	RS 9500 - 047 - B	47	1.85	178	7.01	150 bar		14491	32578	17393	39102	1010	61.63	11,40	25.13	✓
RS 9500 - 060 - A	RS 9500 - 060 - B	60	2.36	204	8.03	2175 psi		14926	33555	18090	40667	1218	74.33	12,20	26.90	✓
RS 9500 - 072 - A	RS 9500 - 072 - B	72	2.83	228	8.98			15227	34231	18575	41758	1410	86.04	13,00	28.66	✓
RS 9500 - 077 - A	RS 9500 - 077 - B	77	3.03	238	9.37	+ 20 °C +68 °F		15332	34467	18745	42140	1491	90.99	13,30	29.32	✓
RS 9500 - 097 - A	RS 9500 - 097 - B	97	3.82	278	10.94			15667	35221	19292	43370	1811	110.51	14,60	32.19	✓
RS 9500 - 122 - A	RS 9500 - 122 - B	122	4.80	328	12.91			15961	35881	19773	44451	2212	134.98	16,10	35.49	✓

◆ Disposable



HOW TO ORDER

p. 73

INSTALLATION GUIDELINE

p. 205