



**ACTIVE SAFETY**



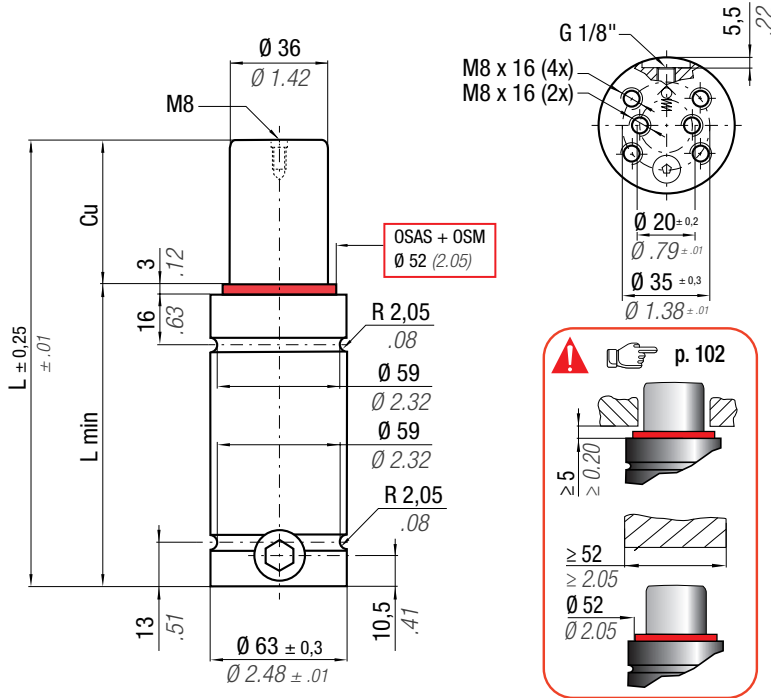
OSAS



USAS



OPAS



**OSAS + OSM** = OVER STROKE ACTIVE SAFETY + OVER STROKE MARKER

Il nuovo codice sarà fornito solo ad esaurimento del vecchio

The new code will be supplied only when the old will be out of stock

Der neue Kode wird nur angegeben, wenn der alte nicht mehr lieferbar ist

Le nouveau code sera fourni uniquement lorsque le vieux stock sera écoulé

El nuevo código será suministrado sólo cuando se agoten las existencias del antiguo

O novo código irá ser fornecido apenas quando o antigo esgotar stock

\*  $F_{1i}$  =

Isothermal end force at 100% Cu

\*\*  $F_{1p}$  =

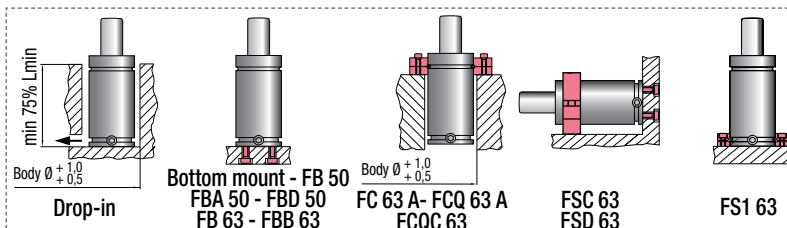
Polytropic end force at 100% Cu

p. 16

p. 16

N <sub>2</sub>		0 - 80 °C 32 - 176 °F	$\Delta P$ ± 0,33 %/°C	P max 150 bar 2175 psi	P min 20 bar 290 psi	S 10,18 cm <sup>2</sup> 1.578 in <sup>2</sup>	SPM ~ 20 - 100 (at 20°C)	Max Speed 1,8 m/s 70.8 in/s	Maintenance kit 39BMRV01500C	
CODE	NEW	Cu	L	L min	F <sub>0</sub>	F <sub>1i</sub> *	F <sub>1p</sub> **	V <sub>0</sub>		
PHASING OUT from 04/2021		mm inch	mm inch	mm inch	Initial force daN lb	End force * daN lb	End force ** daN lb	cm <sup>3</sup> in <sup>3</sup>	~Kg ~lb	
RT 1500 - 010 - A	♦ RT 1500 - 010 - B	10 0.39	72 2.83	62 2.44	1530 3440 ± 5%	2078 4671	2406 5409	45 2.72	1,05 2,31	
RT 1500 - 013 - A	♦ RT 1500 - 013 - B	13 0.51	78 3.07	65 2.56		2157 4848	2528 5683	53 3.20	1,09 2,40	
RT 1500 - 016 - A	♦ RT 1500 - 016 - B	16 0.63	84 3.31	68 2.68		2218 4987	2624 5900	61 3.69	1,13 2,49	
RT 1500 - 019 - A	RT 1500 - 019 - B	19 0.75	90 3.54	71 2.80		2267 5097	2701 6073	68 4.17	1,16 2,56	
RT 1500 - 025 - A	RT 1500 - 025 - B	25 0.98	102 4.02	77 3.03		2343 5267	2822 6344	84 5.14	1,23 2,71	
RT 1500 - 032 - A	RT 1500 - 032 - B	32 1.26	116 4.57	84 3.31		2405 5406	2921 6566	103 6.27	1,31 2,89	
RT 1500 - 038 - A	RT 1500 - 038 - B	38 1.50	128 5.04	90 3.54		150 bar 2175 psi	2444 5493	2984 6708	119 7.23	1,38 3,04
RT 1500 - 050 - A	RT 1500 - 050 - B	50 1.97	152 5.98	102 4.02		2499 5617	3073 6909	150 9.17	1,53 3,37	
RT 1500 - 063 - A	RT 1500 - 063 - B	63 2.48	178 7.01	115 4.53		2538 5707	3139 7056	185 11.26	1,69 3,73	
RT 1500 - 075 - A	RT 1500 - 075 - B	75 2.95	202 7.95	127 5.00		+ 20 °C +68 °F	2565 5765	3182 7152	216 13.19	1,83 4.03
RT 1500 - 080 - A	RT 1500 - 080 - B	80 3.15	212 8.35	132 5.20	2573 5785	3196 7185	229 13.99	1,89 4.17		
RT 1500 - 100 - A	RT 1500 - 100 - B	100 3.94	252 9.92	152 5.98	2601 5847	3242 7287	282 17.21	2,12 4.67		
RT 1500 - 125 - A	RT 1500 - 125 - B	125 4.92	302 11.89	177 6.97	2624 5899	3280 7373	348 21.24	2,41 5.31		

♦ Disposable



**HOW TO ORDER**

p. 103

**INSTALLATION GUIDELINE**

p. 205