



OSAS + OSM = OVER STROKE ACTIVE SAFETY + OVER STROKE MARKER

ACTIVE SAFETY



OSAS



USAS



OPAS

Il nuovo codice sarà fornito solo ad esaurimento del vecchio

The new code will be supplied only when the old will be out of stock

Der neue Kode wird nur angegeben, wenn der alte nicht mehr lieferbar ist

Le nouveau code sera fourni uniquement lorsque le vieux stock sera écoulé

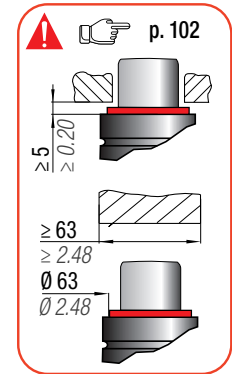
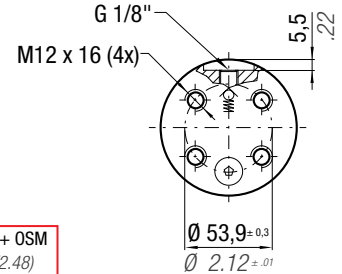
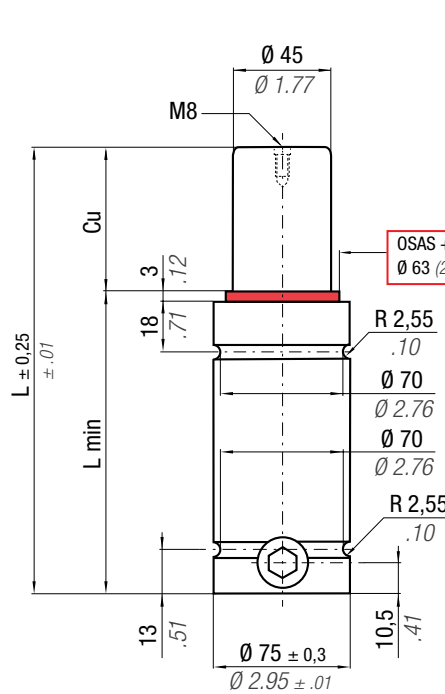
El nuevo código será suministrado sólo cuando se agoten las existencias del antiguo

O novo código irá ser fornecido apenas quando o antigo esgotar stock

easu MANIPOL p. 247

* F_{1i} = Isothermal end force at 100% Cu p. 16

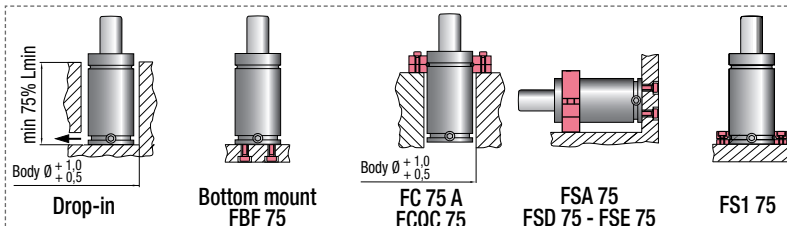
** F_{1p} = Polytropic end force at 100% Cu



N₂	0 - 80 °C 32 - 176 °F	ΔP ± 0,33 %/°C	P max 150 bar 2175 psi	P min 20 bar 290 psi	S 15,90 cm ² 2.465 in ²	SPM ~ 20 - 100 (at 20°C)	Max Speed 1,8 m/s 70.8 in/s	Maintenance kit 39BMRV02400D
----------------------	--------------------------	---------------------------	-------------------------------------	-----------------------------------	--	---------------------------------------	--	--

CODE PHASING OUT from 04/2021	NEW	Cu		L		L min		F ₀		F _{1i} *		F _{1p} **		V ₀		PED 2014/68/EU		
		mm	inch	mm	inch	mm	inch	daN	lb	daN	lb	daN	lb	cm ³	in ³		~Kg	~lb
RT 2400 - 010 - A	♦ RT 2400 - 010 - B	10	0.39	79	3.11	69	2.72	2385 ± 5%	5362	3146	7073	3606	8106	77	4.67	1,44	3.17	✓
RT 2400 - 013 - A	♦ RT 2400 - 013 - B	13	0.51	85	3.35	72	2.83			3272	7356	3799	8539	89	5.41	1,64	3.62	✓
RT 2400 - 016 - A	♦ RT 2400 - 016 - B	16	0.63	91	3.58	75	2.95			3374	7586	3957	8895	101	6.15	1,74	3.84	✓
RT 2400 - 019 - A	♦ RT 2400 - 019 - B	19	0.75	97	3.82	78	3.07			3459	7776	4089	9193	113	6.88	1,78	3.92	✓
RT 2400 - 025 - A	RT 2400 - 025 - B	25	0.98	109	4.29	84	3.31			3591	8073	4297	9661	137	8.34	1,88	4.14	✓
RT 2400 - 032 - A	RT 2400 - 032 - B	32	1.26	123	4.84	91	3.58			3703	8325	4476	10063	165	10.06	1,99	4.39	✓
RT 2400 - 038 - A	RT 2400 - 038 - B	38	1.50	135	5.31	97	3.82			3776	8488	4594	10327	189	11.52	2,08	4.59	✓
RT 2400 - 050 - A	RT 2400 - 050 - B	50	1.97	159	6.26	109	4.29			3882	8726	4766	10713	237	14.46	2,27	5.00	✓
RT 2400 - 063 - A	RT 2400 - 063 - B	63	2.48	185	7.28	122	4.80			3960	8902	4894	11001	289	17.63	2,48	5.47	✓
RT 2400 - 075 - A	RT 2400 - 075 - B	75	2.95	209	8.23	134	5.28			4012	9020	4980	11195	337	20.57	2,67	5.89	✓
RT 2400 - 080 - A	RT 2400 - 080 - B	80	3.15	219	8.62	139	5.47	4030	9060	5009	11261	357	21.79	2,74	6.04	✓		
RT 2400 - 100 - A	RT 2400 - 100 - B	100	3.94	259	10.20	159	6.26	4087	9187	5102	11471	437	26.67	3,06	6.75	✓		
RT 2400 - 125 - A	RT 2400 - 125 - B	125	4.92	309	12.17	184	7.24	4134	9295	5182	11649	537	32.79	3,45	7.61	✓		

♦ Disposable



HOW TO ORDER

p. 103

INSTALLATION GUIDELINE

p. 205