


ACTIVE SAFETY


OSAS



USAS



OPAS

OSAS + OSM = OVER STROKE ACTIVE SAFETY + OVER STROKE MARKER

Il nuovo codice sarà fornito solo ad esaurimento del vecchio

The new code will be supplied only when the old will be out of stock

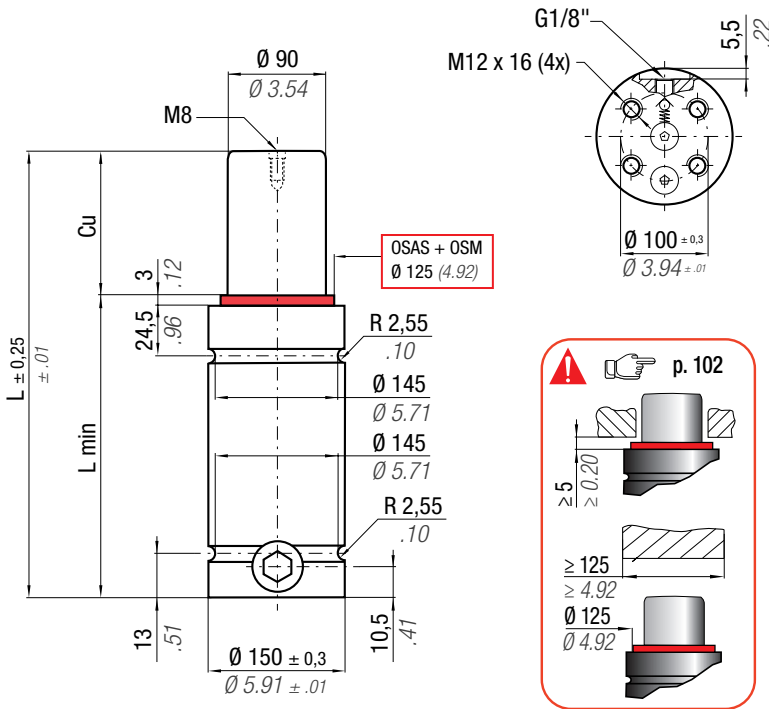
Der neue Kode wird nur angegeben, wenn der alte nicht mehr lieferbar ist

Le nouveau code sera fourni uniquement lorsque le vieux stock sera épuisé

El nuevo código será suministrado sólo cuando se agoten las existencias del antiguo

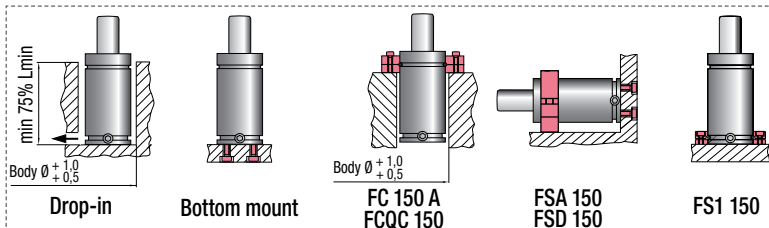
O novo código irá ser fornecido apenas quando o antigo esgotar stock

p. 247

 * F_{1i} = Isothermal end force at 100% Cu p. 16
 ** F_{1p} = Polytrophic end force at 100% Cu


		0 - 80 °C 32 - 176 °F	ΔP ± 0,33 %/°C	P max 150 bar 2175 psi	P min 20 bar 290 psi	S 63,62 cm ² 9.864 in ²	SPM ~ 20 - 100 (at 20°C)	Max Speed 1,8 m/s 70.8 in/s	Maintenance kit 39BMRV09500C
CODE	NEW	Cu	L	L min	F ₀	F _{1i} *	F _{1p} **	V ₀	
PHASING OUT from 04/2021		mm inch	mm inch	mm inch	Initial force daN lb	End force * daN lb	End force ** daN lb	cm ³ in ³	~Kg ~lb
RT 9500 - 019 - A	◆ RT 9500 - 019 - B	19 0.75	116 4.57	97 3.82	9540 21446 ± 5% 150 bar 2175 psi + 20 °C +68 °F	13135 29529	15266 34320	513 31.32	9,58 21.12
RT 9500 - 025 - A	RT 9500 - 025 - B	25 0.98	128 5.04	103 4.06		13676 30745	16106 36208	609 37.19	9,95 21.94
RT 9500 - 032 - A	RT 9500 - 032 - B	32 1.26	142 5.59	110 4.33		14157 31826	16862 37908	722 44.03	10,39 22.91
RT 9500 - 038 - A	RT 9500 - 038 - B	38 1.50	154 6.06	116 4.57		14481 32554	17376 39063	818 49.90	10,76 23.72
RT 9500 - 050 - A	RT 9500 - 050 - B	50 1.97	178 7.01	128 5.04		14968 33649	18156 40817	1010 61.63	11,51 25.38
RT 9500 - 063 - A	RT 9500 - 063 - B	63 2.48	204 8.03	141 5.55		15341 34488	18760 42174	1218 74.35	12,32 27.16
RT 9500 - 075 - A	RT 9500 - 075 - B	75 2.95	228 8.98	153 6.02		15597 35064	19177 43113	1411 86.07	13,07 28.81
RT 9500 - 080 - A	RT 9500 - 080 - B	80 3.15	238 9.37	158 6.22		15686 35264	19323 43440	1491 90.97	13,38 29.50
RT 9500 - 100 - A	RT 9500 - 100 - B	100 3.94	278 10.94	178 7.01		15970 35902	19788 44486	1811 110.52	14,63 32.25
RT 9500 - 125 - A	RT 9500 - 125 - B	125 4.92	328 12.91	203 7.99		16216 36456	20195 45399	2212 134.97	16,19 35.69

◆ Disposable


HOW TO ORDER

p. 103

INSTALLATION GUIDELINE

p. 205