



OSAS + OSM = OVER STROKE ACTIVE SAFETY + OVER STROKE MARKER

ACTIVE SAFETY



OSAS



USAS



OPAS

Il nuovo codice sarà fornito solo ad esaurimento del vecchio
The new code will be supplied only when the old will be out of stock

Der neue Kode wird nur angegeben, wenn der alte nicht mehr lieferbar ist

Le nouveau code sera fourni uniquement lorsque le vieux stock sera écoulé

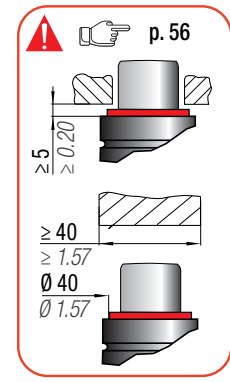
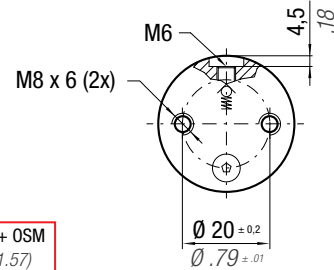
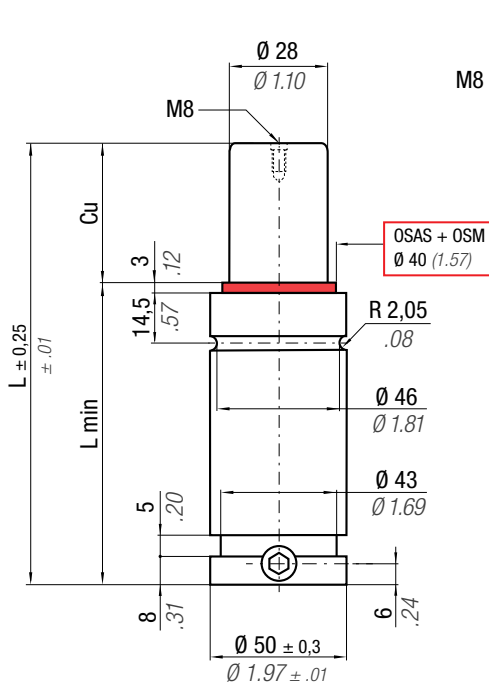
El nuevo código será suministrado sólo cuando se agoten las existencias del antiguo

O novo código irá ser fornecido apenas quando o antigo esgotar stock

easu MANIPOL p. 247

* F_{1i} = Isothermal end force at 100% Cu p. 16

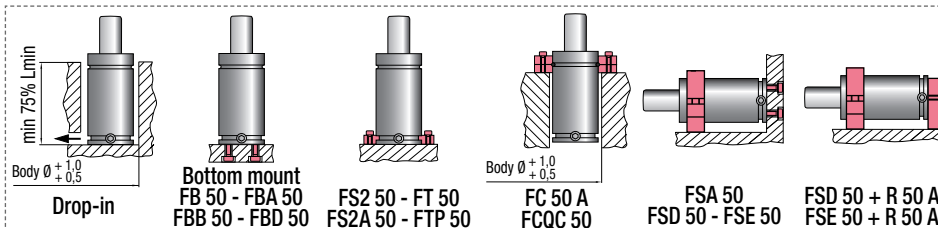
** F_{1p} = Polyphotic end force at 100% Cu



N₂	0 - 80 °C 32 - 176 °F	ΔP ± 0,33 %/°C	P max 170 bar 2465 psi	P min 20 bar 290 psi	S 6,15 cm ² 0,953 in ²	SPM ~ 20 - 100 (at 20°C)	Max Speed 1,8 m/s 70,8 in/s	Maintenance kit 39BMRV01000C
----------------------	--------------------------	--------------------------	-------------------------------------	-----------------------------------	-----------------------------------------------------------	---------------------------------------	------------------------------------------	----------------------------------------

CODE PHASING OUT from 04/2021	NEW	Cu		L		L min		F ₀ Initial force		F _{1i} * End force *		F _{1p} ** End force **		V ₀		PED 2014/68/EU		
		mm	inch	mm	inch	mm	inch	daN	lb	daN	lb	daN	lb	cm ³	in ³		~Kg	~lb
RV 1200 - 010 - A	♦ RV 1200 - 010 - B	10	0.39	58	2.28	48	1.89	1046 ± 5%	2352	1519	3414	1752	3939	23,7	1.45	0,49	1.08	✓
RV 1200 - 013 - A	♦ RV 1200 - 013 - B	13	0.51	64	2.52	51	2.01			1577	3546	1839	4135	28,4	1.73	0,51	1.12	✓
RV 1200 - 016 - A	RV 1200 - 016 - B	16	0.63	70	2.76	54	2.13			1622	3646	1906	4284	33,1	2.02	0,54	1.19	✓
RV 1200 - 019 - A	RV 1200 - 019 - B	19	0.75	76	2.99	57	2.24			1657	3725	1959	4403	37,7	2.30	0,56	1.23	✓
RV 1200 - 025 - A	RV 1200 - 025 - B	25	0.98	88	3.46	63	2.48			1709	3841	2037	4579	47,1	2.87	0,61	1.34	✓
RV 1200 - 032 - A	RV 1200 - 032 - B	32	1.26	102	4.02	70	2.76			1750	3934	2100	4721	58,0	3.54	0,67	1.48	✓
RV 1200 - 038 - A	RV 1200 - 038 - B	38	1.50	114	4.49	76	2.99			1776	3992	2139	4809	67,4	4.11	0,72	1.59	✓
RV 1200 - 050 - A	RV 1200 - 050 - B	50	1.97	138	5.43	88	3.46			1811	4072	2194	4932	86,1	5.25	0,81	1.79	✓
RV 1200 - 063 - A	RV 1200 - 063 - B	63	2.48	164	6.46	101	3.98			1836	4128	2233	5020	106,3	6.49	0,92	2.03	✓
RV 1200 - 075 - A	RV 1200 - 075 - B	75	2.95	188	7.40	113	4.45			1853	4165	2258	5077	125,0	7.63	1,01	2.23	✓
RV 1200 - 080 - A	RV 1200 - 080 - B	80	3.15	198	7.80	118	4.65	1858	4177	2267	5096	132,8	8.10	1,05	2.31	✓		
RV 1200 - 100 - A	RV 1200 - 100 - B	100	3.94	238	9.37	138	5.43	1875	4215	2293	5156	164,0	10.01	1,21	2.67	✓		
RV 1200 - 125 - A	RV 1200 - 125 - B	125	4.92	288	11.34	163	6.42	1889	4247	2315	5205	202,9	12.38	1,41	3.11	✓		

♦ Disposable



HOW TO ORDER
 p. 57

INSTALLATION GUIDELINE
 p. 205