


**ACTIVE SAFETY**

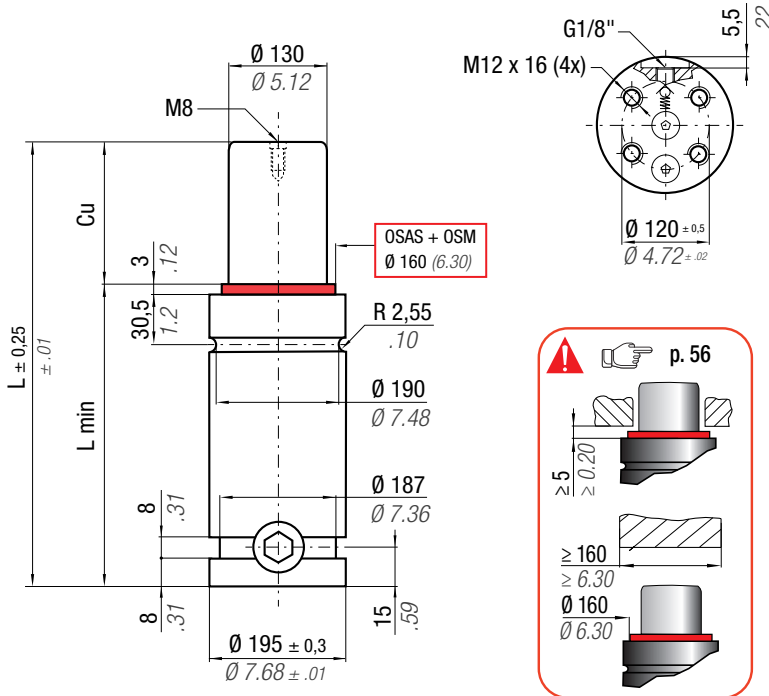

OSAS



USAS



OPAS


**OSAS + OSM** = OVER STROKE ACTIVE SAFETY + OVER STROKE MARKER

Il nuovo codice sarà fornito solo ad esaurimento del vecchio

The new code will be supplied only when the old will be out of stock

Der neue Kode wird nur angegeben, wenn der alte nicht mehr lieferbar ist

Le nouveau code sera fourni uniquement lorsque le vieux stock sera écoulé

El nuevo código será suministrado sólo cuando se agoten las existencias del antiguo guo

O novo código irá ser fornecido apenas quando o antigo esgotar stock

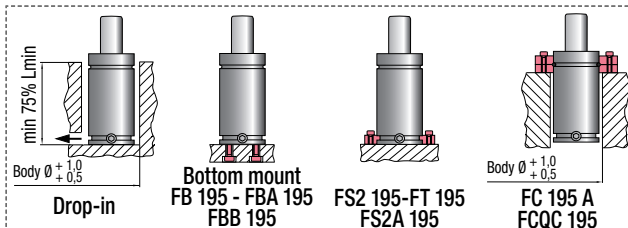
p. 247

 \*  $F_{1i}$  = Isothermal end force at 100% Cu p. 16

 \*\*  $F_{1p}$  = Polytrophic end force at 100% Cu

N <sub>2</sub>		0 - 80 °C 32 - 176 °F	$\Delta P$ ± 0,33 %/°C	P max 150 bar 2175 psi	P min 20 bar 290 psi	S 132,73 cm <sup>2</sup> 20.573 in <sup>2</sup>	SPM ~ 20 - 80 (at 20°C)	Max Speed 1,8 m/s 70.8 in/s	Maintenance kit 39BMRV20000A	
CODE PHASING OUT from 04/2021	NEW	Cu	L	L min	F <sub>0</sub>	F <sub>1i</sub> *	F <sub>1p</sub> **	V <sub>0</sub>	2014/68/EU	
RV 20000 - 019 - A	◆ RV 20000 - 019 - B	19 0.75	148 5.83	129 5.08	19910 44738 ± 5% 150 bar 2175 psi + 20 °C +68 °F	27636 62128	32207 72404	1047 63.89	21,58 47.58	✓
RV 20000 - 025 - A	◆ RV 20000 - 025 - B	25 0.98	160 6.30	135 5.32		29099 65417	34490 77537	1215 74.14	22,29 49.14	✓
RV 20000 - 032 - A	RV 20000 - 032 - B	32 1.26	174 6.85	142 5.59		30485 68532	36688 82478	1411 86.10	23,12 50.97	✓
RV 20000 - 038 - A	RV 20000 - 038 - B	38 1.50	186 7.32	148 5.83		31467 70740	38266 86025	1580 96.42	23,84 52.56	✓
RV 20000 - 050 - A	RV 20000 - 050 - B	50 1.97	210 8.27	160 6.30		33024 74242	40801 91724	1916 116.92	25,26 55.69	✓
RV 20000 - 063 - A	RV 20000 - 063 - B	63 2.48	236 9.29	173 6.81		34290 77086	42889 96418	2280 139.13	26,80 59.08	✓
RV 20000 - 075 - A	RV 20000 - 075 - B	75 2.95	260 10.24	185 7.28		35196 79124	44401 99818	2617 159.70	28,22 62.21	✓
RV 20000 - 080 - A	RV 20000 - 080 - B	80 3.15	270 10.63	190 7.48		35519 79850	44943 101035	2757 168.24	28,81 63.52	✓
RV 20000 - 100 - A	RV 20000 - 100 - B	100 3.94	310 12.21	210 8.27		36574 82222	46724 105039	3317 202.42	31,19 68.76	✓
RV 20000 - 125 - A	RV 20000 - 125 - B	125 4.92	360 14.17	235 9.25		37526 84361	48345 108683	4018 245.19	34,16 75.31	✓

◆ Disposable



p. 57

**INSTALLATION GUIDELINE**

p. 205