

ISO 11901 - 3 W-DX35-6204 (Ford)	VDI 3003 - Blatt 3 PG 24D (Mazda)	B2 4005 (BMW) B8 3180 220 000 004(MB)	075.90.60 (FCA) 39D 997 (VW)
-------------------------------------	--------------------------------------	--	---------------------------------



ACTIVE SAFETY



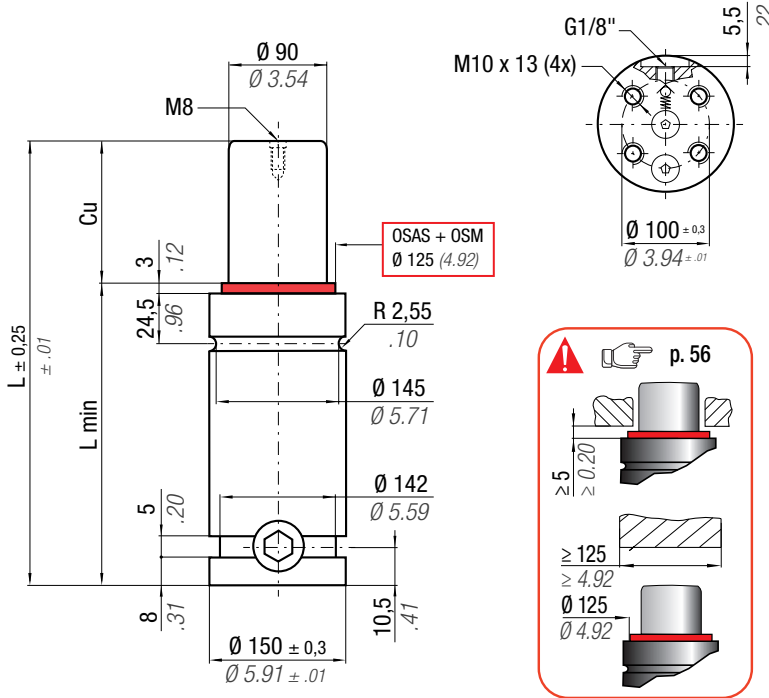
OSAS



USAS



OPAS



OSAS + OSM = OVER STROKE ACTIVE SAFETY + OVER STROKE MARKER

Il nuovo codice sarà fornito solo ad esaurimento del vecchio

The new code will be supplied only when the old will be out of stock

Der neue Kode wird nur angegeben, wenn der alte nicht mehr lieferbar ist

Le nouveau code sera fourni uniquement lorsque le vieux stock sera écoulé

El nuevo código será suministrado sólo cuando se agoten las existencias del antiguo

O novo código irá ser fornecido apenas quando o antigo esgotar stock

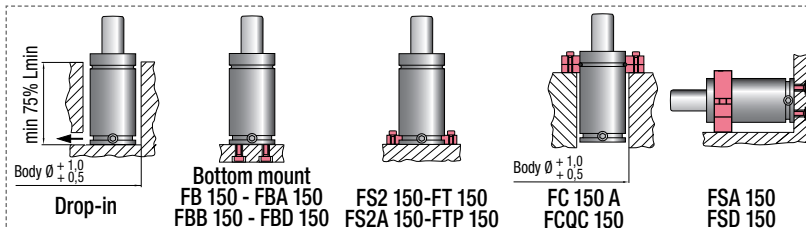
easu MANIFOLD p. 247

* F_{1i} = Isothermal end force at 100% Cu p. 16

** F_{1p} = Polytrophic end force at 100% Cu

		0 - 80 °C 32 - 176 °F	ΔP ± 0,33 %/°C	P max 150 bar 2175 psi	P min 20 bar 290 psi	S 63,62 cm ² 9.864 in ²	SPM ~ 20 - 80 (at 20°C)	Max Speed 1,8 m/s 70.8 in/s	Maintenance kit 39BMRV09500C
CODE		Cu	L	L min	F ₀	F _{1i} *	F _{1p} **	V ₀	
PHASING OUT from 04/2021	NEW	mm inch	mm inch	mm inch	Initial force daN lb	End force * daN lb	End force ** daN lb	cm ³ in ³	-Kg -lb
RV 9500 - 019 - A	◆ RV 9500 - 019 - B	19 0.75	116 4.57	97 3.82	9540 21446 ± 5% 150 bar 2175 psi + 20 °C +68 °F	13135 29528	15265 34318	513 31.31	9,56 21.08
RV 9500 - 025 - A	RV 9500 - 025 - B	25 0.98	128 5.04	103 4.06		13676 30744	16105 36206	609 37.16	9,93 21.89
RV 9500 - 032 - A	RV 9500 - 032 - B	32 1.26	142 5.59	110 4.33		14156 31825	16862 37906	722 44.06	10,37 22.86
RV 9500 - 038 - A	RV 9500 - 038 - B	38 1.50	154 6.06	116 4.57		14480 32553	17376 39062	818 49.92	10,74 23.68
RV 9500 - 050 - A	RV 9500 - 050 - B	50 1.97	178 7.01	128 5.04		14967 33648	18156 40815	1010 61.63	11,49 25.33
RV 9500 - 063 - A	RV 9500 - 063 - B	63 2.48	204 8.03	141 5.55		15341 34487	18759 42173	1218 74.33	12,30 27.12
RV 9500 - 075 - A	RV 9500 - 075 - B	75 2.95	228 8.98	153 6.02		15597 35063	19177 43111	1411 86.10	13,05 28.77
RV 9500 - 080 - A	RV 9500 - 080 - B	80 3.15	238 9.37	158 6.22		15686 35264	19322 43439	1491 90.99	13,37 29.48
RV 9500 - 100 - A	RV 9500 - 100 - B	100 3.94	278 10.94	178 7.01		15970 35901	19788 44485	1811 110.51	14,61 32.21
RV 9500 - 125 - A	RV 9500 - 125 - B	125 4.92	328 12.91	203 7.99		16216 36455	20194 45398	2212 134.98	16,18 35.67

◆ Disposable



HOW TO ORDER

p. 57

INSTALLATION GUIDELINE

p. 205