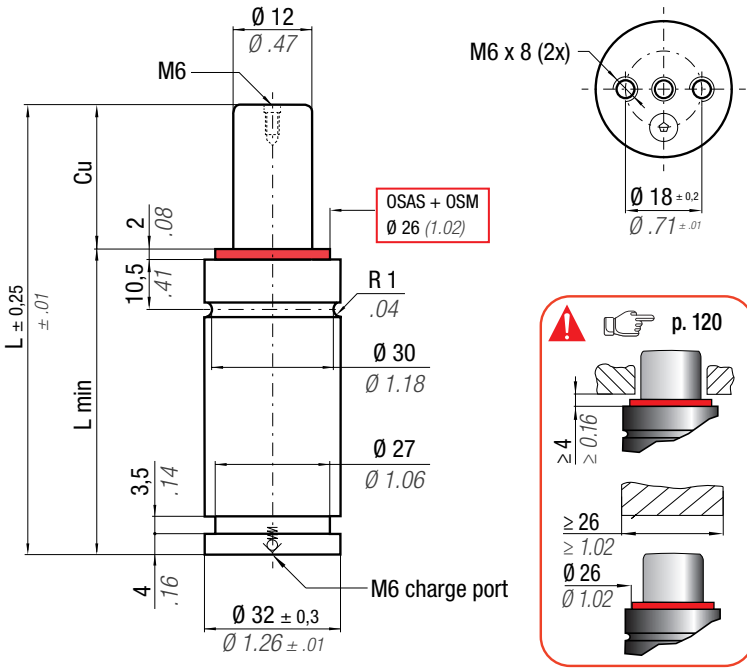


ISO 11901 - 1	VDI 3003	90.25.00 (GM)	39D 878 (VW)
B8 3180 220 000 001(MB)	B2 4006 (BMW)	E24.54.815.G (PSA)	EM24.54.700 (Renault)
075.90.55 (FCA)			

# SC 200



**OSAS + OSM** = OVER STROKE ACTIVE SAFETY + OVER STROKE MARKER



\*  $F_{1i}$  = Isothermal end force at 100% Cu p. 16  
 \*\*  $F_{1p}$  = Polytrophic end force at 100% Cu

**ACTIVE SAFETY**



Collegabile con tubi - Linkable with hoses  
 Anschlussfähig mit Leitungen  
 Connectable avec tubes - Conectable con mangueras  
 Acompláveis com tubos  
 Micro 32°



**HOW TO ORDER**  
 SC 200 - 050 - A - YW Force color code

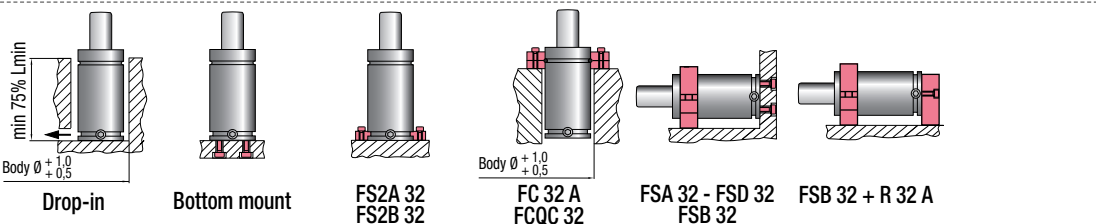
Force color code	P		F <sub>0</sub>	
	bar	psi	Initial force ± 5% at +20°C +68°F	
GR	45	653	50	112
BU	90	1305	100	225
RD	135	1958	150	337
YW	180	2610	200	450
BK	20-180	290-2610	22-200	49-450



N <sub>2</sub>	0 - 80 °C 32 - 176 °F	$\Delta P$ ± 0,33 %/°C	<b>P max</b> 180 bar 2610 psi	<b>P min</b> 20 bar 290 psi	<b>S</b> 1,13 cm <sup>2</sup> 0.175 in <sup>2</sup>	<b>SPM</b> ~ 80 - 100 (at 20°C)	<b>Max Speed</b> 1,8 m/s 70.8 in/s	<b>Maintenance kit</b> 39BMSC00150E
----------------	--------------------------	---------------------------	-------------------------------------	-----------------------------------	---	---------------------------------------	--	--

CODE	Cu		L		L min		F <sub>1i</sub> *		F <sub>1p</sub> **		V <sub>0</sub>				
	mm	inch	mm	inch	mm	inch	daN	lb	daN	lb	cm <sup>3</sup>	in <sup>3</sup>		~Kg	~lb
◆ SC 200 - 010 - A ...	10	0.39	70	2.76	60	2.36	1,15 x F <sub>0</sub>		1,28 x F <sub>0</sub>		9,6	0.59	0,26	0.56	✓
◆ SC 200 - 013 - A ...	12,7	0.51	75,4	2.97	62,7	2.47	1,17 x F <sub>0</sub>		1,30 x F <sub>0</sub>		11,1	0.68	0,26	0.58	✓
SC 200 - 016 - A ...	16	0.63	82	3.23	66	2.60	1,19 x F <sub>0</sub>		1,33 x F <sub>0</sub>		13,0	0.79	0,27	0.60	✓
SC 200 - 025 - A ...	25	0.98	100	3.94	75	2.95	1,22 x F <sub>0</sub>		1,37 x F <sub>0</sub>		18,0	1.10	0,30	0.65	✓
SC 200 - 038 - A ...	38	1.50	126	4.96	88	3.46	1,24 x F <sub>0</sub>		1,40 x F <sub>0</sub>		25,3	1.54	0,33	0.73	✓
SC 200 - 050 - A ...	50	1.97	150	5.91	100	3.94	1,25 x F <sub>0</sub>		1,42 x F <sub>0</sub>		32,0	1.95	0,37	0.81	✓
SC 200 - 063 - A ...	63,5	2.48	177	6.97	113,5	4.47	1,26 x F <sub>0</sub>		1,43 x F <sub>0</sub>		39,6	2.42	0,41	0.89	✓
SC 200 - 080 - A ...	80	3.15	210	8.27	130	5.12	1,26 x F <sub>0</sub>		1,44 x F <sub>0</sub>		48,9	2.98	0,45	0.99	✓
SC 200 - 100 - A ...	100	3.94	250	9.84	150	5.91	1,27 x F <sub>0</sub>		1,46 x F <sub>0</sub>		59,6	3.64	0,51	1.13	✓
SC 200 - 125 - A ...	125	4.92	300	11.81	175	6.89	1,28 x F <sub>0</sub>		1,47 x F <sub>0</sub>		72,7	4.44	0,59	1.30	✓

◆ Disposable



**HOW TO ORDER**  
 p. 121

**INSTALLATION GUIDELINE**  
 p. 205