

# FLANGE MOUNTS



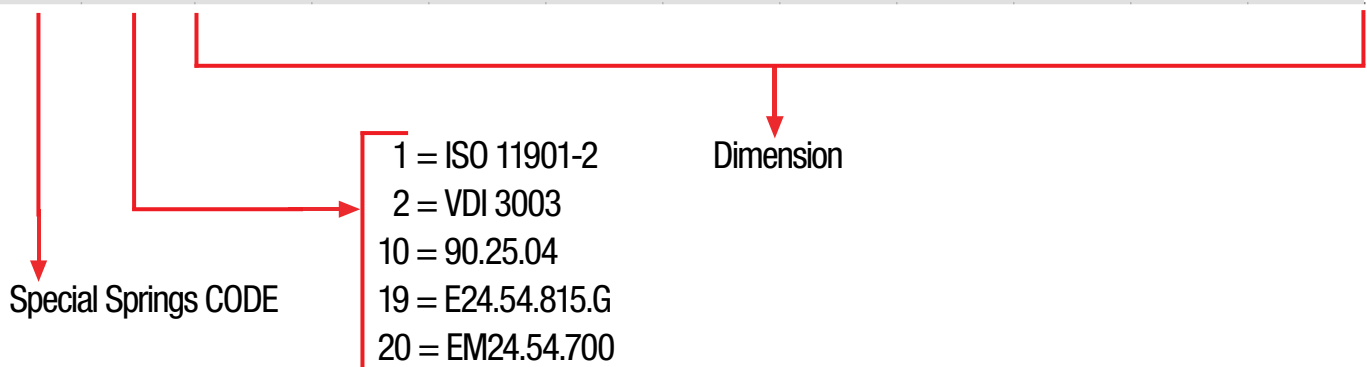
- IT** La seguente tabella indica i riferimenti Special Springs per ogni standards. Vedi esempio sotto riportato.
- EN** The following table shows the references for each Special Springs standards. See example below.
- DE** Die folgende Tabelle zeigt die Verweise für jede Special Springs Standards. Siehe Beispiel unten.
- FR** Le tableau suivant indique les références pour chacune des normes spéciales Springs. Voir l'exemple ci-dessous.
- ES** La siguiente tabla muestra las equivalencias de cada modelo Special Springs. Ver ejemplo en la parte inferior de esta hoja.
- PT** A tabela a seguir mostra as referências para cada normas especiais molas. Veja o exemplo abaixo.

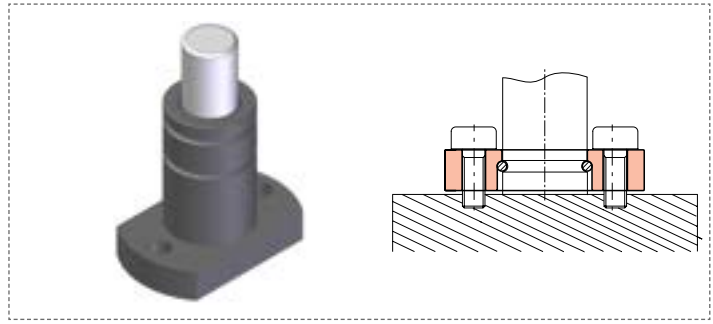
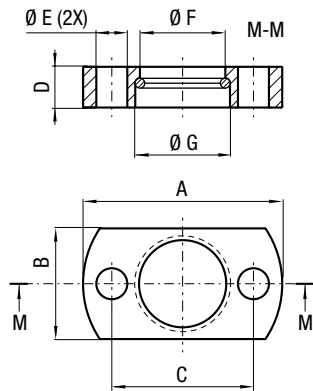
Reference to standards	Standards	
0	//	Special Springs
1	ISO 11901-2	
2	VDI 3003	
3	B2 4009	BMW
4	W-DX35-62M	Ford
5	W-DX35-80M	Ford
6	W-DX40-80M	Ford
7	90.25.01	General Motors
8	90.25.02	General Motors
9	90.25.03	General Motors
10	90.25.04	General Motors
11	90.25.06	General Motors
12	90.25.07	General Motors
13	90.25.455	General Motors
14	B8 0132 110 008 801	Mercedes Benz

Reference to standards	Standards	
15	B8 0138 100 000 001	Mercedes Benz
16	B8 0134 300 000 001	Mercedes Benz
17	B8 0134 400 008 801	Mercedes Benz
18	B8 .....	Mercedes Benz
19	E24.54.815.G	Peugeot - Citroën
20	EM24.54.700	Renault
21	39D 848	Volkswagen
22	075.90.70	FCA
23	075.90.75	FCA
24	075.90.80	FCA
25	075.90.85	FCA
26	075.90.90	FCA
27	075.90.95	FCA
28	075.90.40	FCA
29	K32D2-2400-50	Nissan

## How to read the table

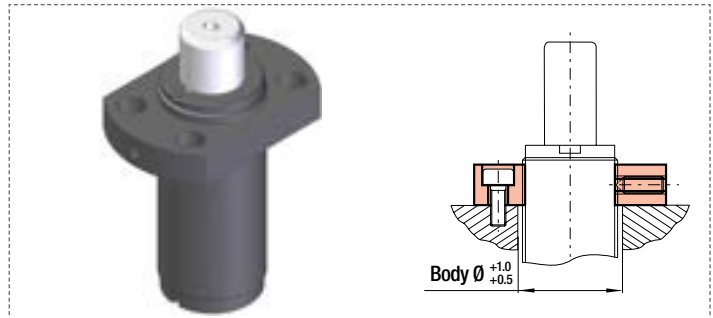
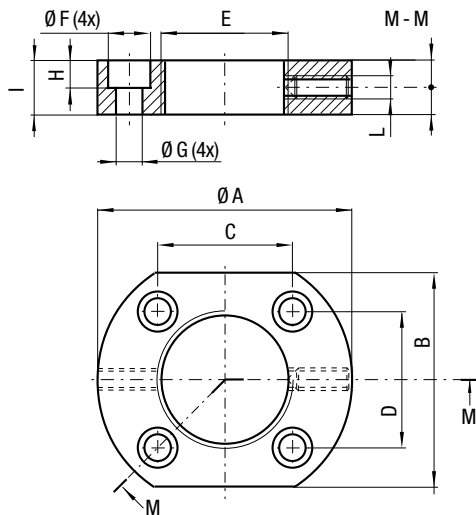
CODE	Reference to standards	A		B		Ø C		D		Ø E		Ø F		Ø G		Ø H		I		L	
		mm	inch	mm	inch	mm	inch	mm	inch	mm	inch	mm	inch	mm	inch	mm	inch	mm	inch	mm	inch
FB 45	1-2-10-19-20	70	2.76	50	1.97	20	0.79	20	0.79	15	0.59	15	0.59	9	0.35	9	0.35	14	0.55	12	0.47





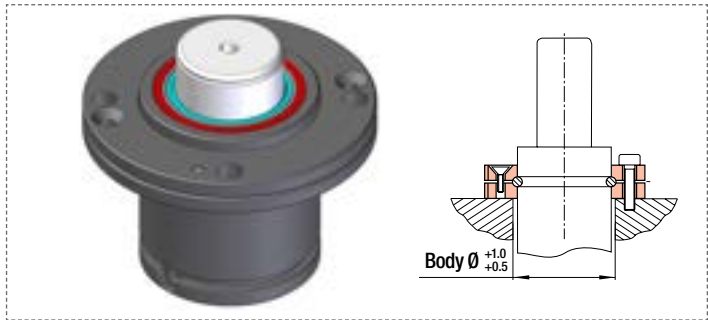
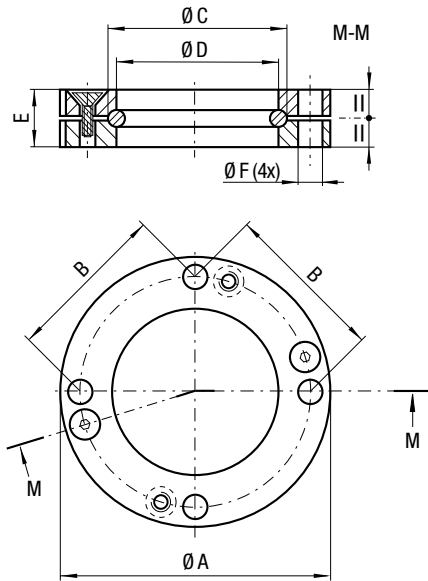
CODE	Reference to standards	A		B		C		D		Ø E		Ø F		Ø G	
		mm	inch	mm	inch	mm	inch	mm	inch	mm	inch	mm	inch	mm	inch
FS3 19	0	45	1.77	25	0.98	32	1.26	9,2	0.36	7	0.28	19,3	0.76	21,4	0.84
FS3 25	0	50	1.97	30	1.18	38	1.50	9,2	0.36	7	0.28	25,3	1.00	27,4	1.08

# FCA

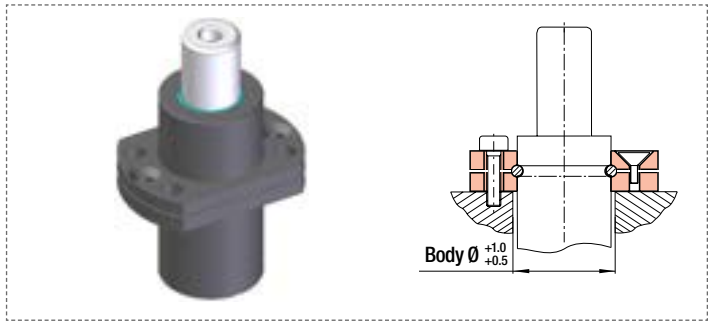
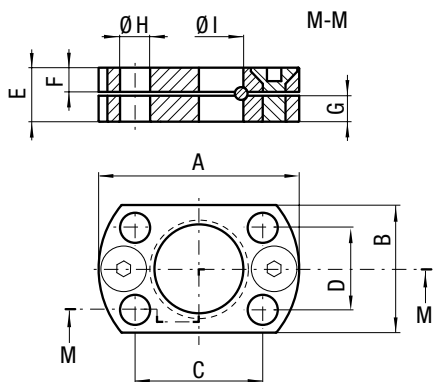


CODE	Reference to standards	Ø A		B		C		D	E	Ø F		Ø G		H		I		L	
		mm	inch	mm	inch	mm	inch			mm	inch	mm	inch	mm	inch	mm	inch		
FCA 38	0	75	2.95	50	1.97	50,3	1.98	29	1.14	M 38 x 1,5	14	0.55	9	0.35	8	0.31	12	0.47	M6
⚠ FCA 45	0	90	3.54	60	2.36	60	2.36	34	1.34	M 45 x 1,5	14	0.55	9	0.35	8	0.31	16	0.63	M6
⚠ FCA 50	0-22	100	3.94	66	2.60	66	2.60	38	1.50	M 50 x 1,5	14	0.55	9	0.35	8	0.31	16	0.63	M6

⚠ Phasing out



CODE	Reference to standards	Ø A		B		Ø C		Ø D		E		Ø F	
		mm	inch	mm	inch	mm	inch	mm	inch	mm	inch	mm	inch
FCB 50	0	95	3.74	56,5	2.22	52	2.05	50,5	1.99	13	0.51	9	0.35
FCB 63	0	122	4.80	73,5	2.89	66	2.60	63,5	2.50	16	0.63	11	0.43
FCB 75	0	122	4.80	73,5	2.89	78	3.07	75,5	2.97	16	0.63	11	0.43
FCB 95	0	150	5.91	92	3.62	98	3.86	95,5	3.76	18	0.71	13,5	0.53



CODE	Reference to standards	A		B		C		D		E		F		G		Ø H		Ø I	
		mm	inch	mm	inch	mm	inch	mm	inch	mm	inch	mm	inch	mm	inch	mm	inch	mm	inch
FCD 19	0	44	1.73	28	1.10	28	1.10	18	0.71	11	0.43	5,2	0.20	5,6	0.22	6,6	0.26	19,5	0.77
FCD 25	0	50	1.97	30	1.18	34	1.34	18	0.71	11	0.43	5,2	0.20	5,6	0.22	6,6	0.26	25,5	1.00
FCD 32	0	57	2.24	39	1.54	40	1.57	22	0.87	11	0.43	5,2	0.20	5,6	0.22	6,6	0.26	32,5	1.28
FCD 38	0	63	2.48	46	1.81	45	1.77	26	1.02	11	0.43	5,2	0.20	5,6	0.22	6,6	0.26	38,5	1.52
FCD 50	0	75	2.95	58	2.28	54	2.13	34	1.34	11	0.43	6,2	0.24	4,6	0.18	6,6	0.26	50,5	1.99
FCD 63	0	98	3.86	76	2.99	74	2.91	40	1.57	13	0.51	8,9	0.35	3,9	0.15	9	0.35	63,5	2.50

ISO General Motors	VDI Mercedes Benz	BMW Peugeot - Citroën	Ford Volkswagen
-----------------------	----------------------	--------------------------	--------------------



Fig. 1

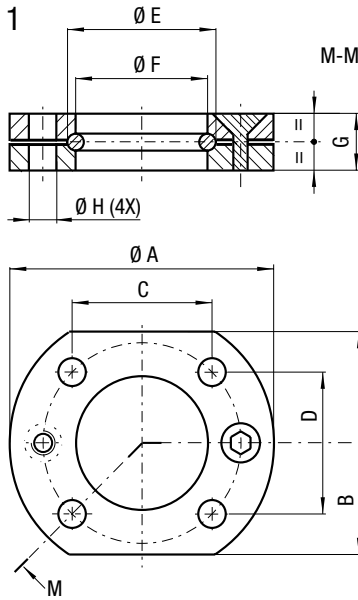
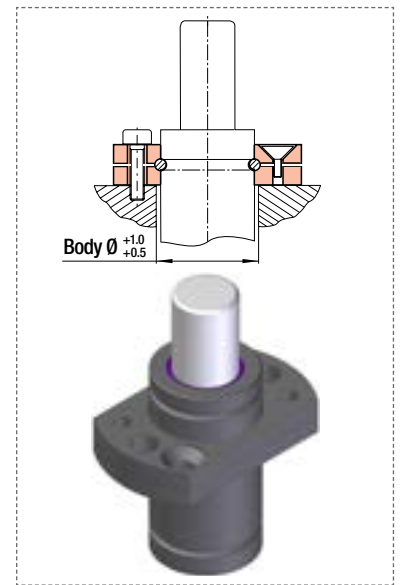
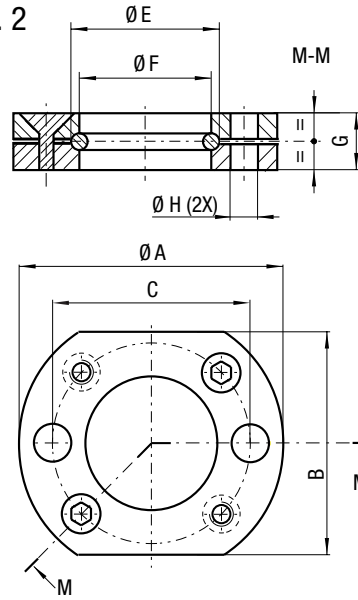
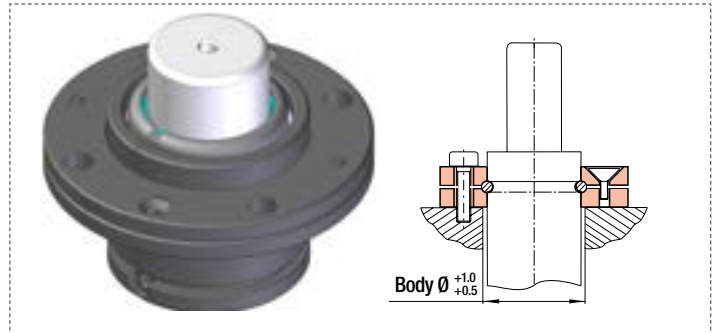
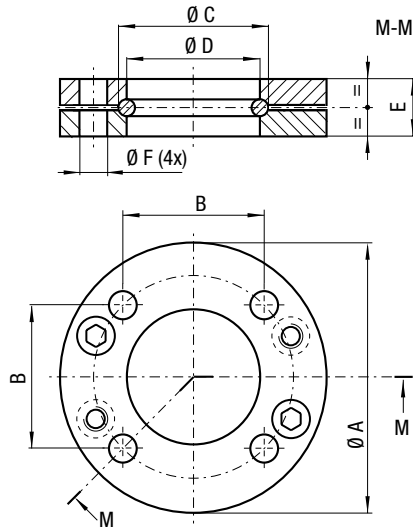


Fig. 2



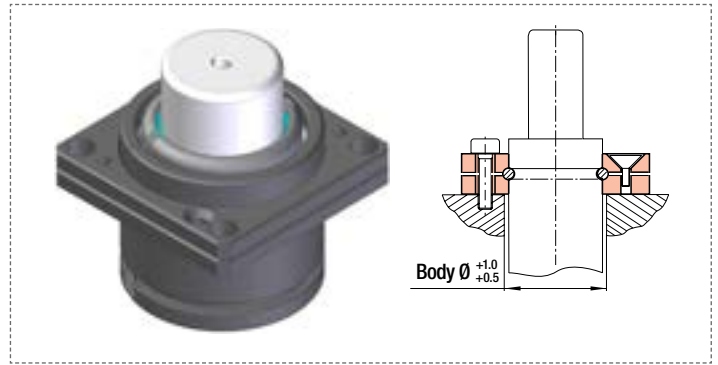
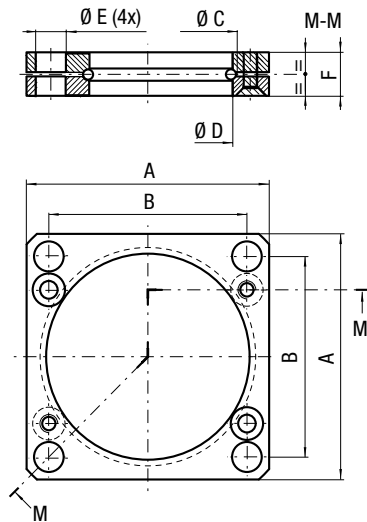
CODE	Reference to standards	Ø A		B		C		D		Ø E		Ø F		G		Ø H		Rif. Fig
		mm	inch	mm	inch	mm	inch	mm	inch	mm	inch	mm	inch	mm	inch	mm	inch	
FC 12 A	0	34	1.34	21	0.83	24	0.94	-	-	13,7	0.54	12,5	0.49	9	0.35	6,6	0.26	Fig. 2
FC 15 A	0	37	1.36	24	0.94	27	1.06	-	-	16,7	0.66	15,5	0.61	9	0.35	6,6	0.26	
FC 19 B	1-5	44	1.73	25	0.98	30	1.18	12	0.47	21,9	0.86	19,5	0.77	9	0.35	6,6	0.26	Fig. 1
FC 25 B	1-5	50	1.97	30	1.18	34	1.34	18	0.71	27,9	1.10	25,5	1.00	9	0.35	6,6	0.26	
FCC 19 A	2-3-17-21-23	44	1.73	25	0.98	32	1.26	-	-	21	0.83	19,5	0.77	9	0.35	6,6	0.26	Fig. 2
FCC 25 A	2-3-17-19-21-23	50	1.97	30	1.18	38	1.50	-	-	27	1.06	25,5	1.00	9	0.35	6,6	0.26	



CODE	Reference to standards	Ø A		B		Ø C		Ø D		E		Ø F	
		mm	inch	mm	inch	mm	inch	mm	inch	mm	inch	mm	inch
FC 32 A	1-9-16-24	60	2.36	35	1.38	34	1.34	32,5	1.28	9	0.35	7	0.28
FC 38 A	1-9-16-24	68	2.68	40	1.57	40	1.57	38,5	1.52	9	0.35	7	0.28
FC 45 A	1-9-16-24	86	3.39	50	1.97	47	1.85	45,5	1.79	13	0.51	9	0.35
FC 50 A	1-9-16-24	95	3.74	56,5	2.22	54	2.13	50,5	1.99	13	0.51	9	0.35
FC 63 A	0	122	4.80	73,5	2.89	67	2.64	63,5	2.50	16	0.63	11	0.43
FC 75 A	1-9-16-24	122	4.80	73,5	2.89	80	3.15	75,5	2.97	16	0.63	11	0.43
FC 95 A	1-9-16-24	150	5.91	92	3.62	100	3.94	95,5	3.76	18	0.71	13,5	0.53
FC 120 A	1-9-16-24	175	6.89	109,5	4.31	125	4.92	120,5	4.74	21	0.83	13,5	0.53
FC 150 A	1-9-16-24	220	8.66	138	5.43	155	6.10	150,5	5.93	27	1.06	17,5	0.69
FC 195 A	1-9-16-24	290	11.42	170	6.69	200	7.87	195,5	7.70	27	1.06	17,5	0.69

ISO	VDI	BMW	Ford
General Motors	Volkswagen		

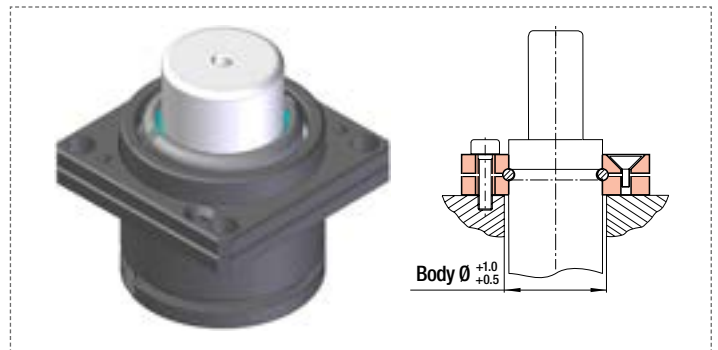
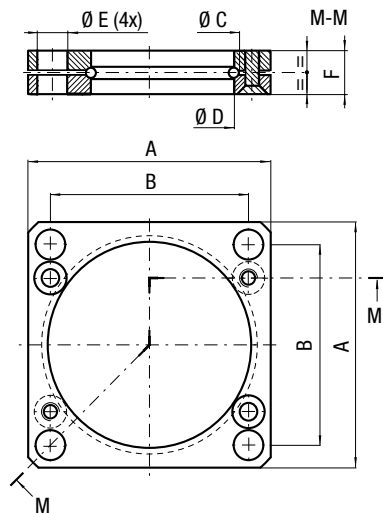
# FCQ - FCQC



CODE		Reference to standards	A		B		Ø C		Ø D		Ø E		F	
PHASING OUT	NEW		mm	inch	mm	inch	mm	inch	mm	inch	mm	inch	mm	inch
FCQ 32 A	FCQC 32	2-4-8-25	45	1.77	35	1.38	34	1.34	32,5	1.28	7	0.28	9	0.26
FCQ 38 A	FCQC 38	1-2-3-4-8-25	52	2.05	40	1.57	40	1.57	38,5	1.52	7	0.28	9	0.35
FCQ 45 A	FCQC 45	1-2-3-4-8-25	64	2.52	50	1.97	47	1.85	45,5	1.79	9	0.35	13	0.51
FCQ 50 A	FCQC 50	1-2-3-4-8-25	70	2.76	56,5	2.22	54	2.13	50,5	1.99	9	0.35	13	0.51
FCQ 63 A	FCQ 63 A	25	90	3.54	73,5	2.89	67	2.64	63,45	2.50	11	0.43	16	0.63
FCQC 63	FCQC 63	2-4-21	80	3.15	64	2.52	67	2.64	63,45	2.50	11	0.43	16	0.63
FCQ 75 A	FCQC 75	1-2-3-4-8-25	90	3.54	73,5	2.89	80	3.15	75,5	2.97	11	0.43	16	0.63
FCQ 95 A	FCQC 95	1-2-3-4-8-25	110	4.33	92	3.62	100	3.94	95,5	3.76	13,5	0.53	18	0.71
FCQ 120 A	FCQC 120	1-2-3-4-8-25	130	5.12	109,5	4.31	125	4.92	120,5	4.74	13,5	0.53	21	0.83
FCQ 150 A	FCQC 150	1-2-3-4-8-25	162	6.38	138	5.43	155	6.10	150,5	5.93	17,5	0.69	27	1.06
FCQ 195 A	FCQC 195	1-2-4-8-25	210	8.27	170	6.69	200	7.87	195,5	7.70	17,5	0.69	27	1.06

## For KE series only

# FCQB - FCQD



CODE	Reference to standards	A		B		Ø C		Ø D		Ø E		F	
		mm	inch	mm	inch	mm	inch	mm	inch	mm	inch	mm	inch
FCQB 50	0	70	2.76	56,5	2.22	52	2.05	50,5	1.99	9	0.35	13	0.51
FCQB 63	0	90	3.54	73,5	2.89	66	2.60	63,5	2.50	11	0.43	16	0.63
FCQD 63	0	80	3.15	64	2.52	66	2.60	63,5	2.50	11	0.43	16	0.63
FCQB 75	0	90	3.54	73,5	2.89	78	3.07	75,5	2.97	11	0.43	16	0.63
FCQB 95	0	110	4.33	92	3.62	98	3.86	95,5	3.76	13,5	0.53	18	0.71